

PISTOL PPS M2



EN

DE

FR

ES

IT

TU



Read the instructions and warnings in this manual
CAREFULLY BEFORE using this firearm.

PPS M2 PISTOL



NOTE:

This manual refers to the use of the pistol by civilian users. Instructions for law enforcement use may differ from what is described in this manual.

Throughout this instruction manual, position designations such as »left,« »right,« »forward,« »rear,« and so on, are referenced to a pistol held in a normal firing position. In other words, pointed away from the shooter, barrel in a generally horizontal direction, and with the grip of the pistol pointing downwards.

Explanations in this manual are based on right hand operation. Left-handed users should operate vice versa.

Note that the illustrations in this manual are for explanation purposes and may differ from the actual gun.

TABLE OF CONTENTS

| | |
|---|-----------|
| 1. Safety Instructions | 4 |
| 2. Product Description | 5 |
| 2.1. Functional Description | 5 |
| 2.2. Ammunition | 6 |
| 2.3. Functional Elements | 7 |
| 3. Handling the Pistol | 10 |
| 3.1. Inspecting the Pistol | 10 |
| 3.2. Loading | 11 |
| 3.3. Firing | 12 |
| 3.4. Exchanging Empty Magazines | 13 |
| 3.5. Unloading | 13 |
| 3.6. Creating Misfires | 14 |
| 4. Field-Stripping, Cleaning, Lubrication, and Maintenance | 15 |
| 4.1. Main Components | 15 |
| 4.2. Magazine | 16 |
| 4.3. Cleaning the Pistol | 18 |
| 4.4. Lubrication | 19 |
| 4.5. Maintenance before Storing | 19 |
| 5. Adjusting the Pistol to its User | 20 |
| 5.1. Sights | 20 |
| 5.2. Grip | 21 |
| 6. Technical Specifications | 22 |
| 7. Exploded Diagram | 23 |
| 8. Parts List | 24 |

PPS M2 PISTOL

SAFETY INSTRUCTIONS

1. SAFETY INSTRUCTIONS

- Before handling the pistol, thoroughly familiarize yourself with all of its functions and handling characteristics by carefully reading the entire instruction manual.
- When performing a safety check, before cleaning the pistol, prior to shooting, or when accessing a malfunction, always check that the firearm is unloaded (magazine removed from pistol and chamber clear). Visually check that the bore of the barrel is clear of any obstruction and the magazine is empty.
- When not shooting, keep ammunition stored separately from the pistol. Store each in separate and secure locations. Unauthorized persons, such as children, must not have access to either the ammunition or the pistol.
- Always treat every firearm as if it were loaded and would fire if the trigger is squeezed. Handle the pistol in a conscientious and professional manner so as to not endanger yourself or bystanders. Always keep the muzzle of the firearm pointed in a safe direction. Never point a firearm at anyone or anything you do not intend to shoot, whether or not it is loaded.
- Caution: Keep your finger off the trigger and outside of the pistol's trigger guard until you have aligned the pistol's sights on a safe target and you have made the decision to fire. Always be sure of your target and what is beyond it.
- Never use force when operating, checking, field-stripping, cleaning, or assembling the pistol. Incorrect handling will impair the functioning and safety of the pistol. The pistol must not be disassembled further than shown in this instruction manual.
- Safety and correct functioning are assured only when the pistol and ammunition are in prime condition.
- Always have the pistol inspected by a qualified gunsmith if you suspect it is not functioning properly or has been damaged, such as by corrosion, being dropped, and so on.
- Always wear adequate and proper hearing protection and safety glasses specified for firearm use. Also make sure others in the vicinity of where you will be shooting are also wearing adequate and proper hearing protection and safety glasses.
- Your firearm has been designed for use with a specific type and caliber of ammunition. The correct caliber intended for use in the pistol is marked on the pistol. Use only ammunition corresponding to the caliber of the weapon and which conforms to the provisions of the Commission Internationale Permanente pour l'Epreuve des Armes a Feu portatives (International Proof Commission/C.I.P.) or Sporting Arms and Ammunition Manufacturers' Institute (SAAMI). When using reloaded ammunition do not exceed the permitted gas/chamber pressure according to C.I.P. or SAAMI. Excessive pressure can damage or even destroy any firearm. Ammunition with velocities and pressures higher than those for which the weapon was designed will subject the weapon to additional stress, cause excessive wear, and may cause serious damage to the pistol.
- Before loading, always wipe off any excess grease and oil and make sure that the bore of the barrel is clean and clear of any obstruction.

PRODUCT DESCRIPTION

- Before loading, always wipe off any excess grease and oil and make sure that the bore of the barrel is clean and clear of any obstruction.
- Do not alter, modify or replace any of the parts of the firearm unless specifically directed to do so in this manual. Any maintenance or service not specified in this manual must be performed by a qualified gunsmith using genuine WALTHER parts.
- Improper or unauthorized adjustment of any component may affect the safety and reliability of the firearm and may cause serious injury or death.

DISCLAIMER OF LIABILITY

The first concern when handling any firearm is safety. There is always a risk of inadvertent property damage, serious bodily injury or even death. WALTHER disclaims any and all liability for damage arising from use of this firearm that is improper and contravenes statutory regulations. The same applies for damage arising from failure to follow the instructions in this manual, unauthorized replacement of parts or any other modification to the pistol not expressly provided for in this manual.

EN

DE

FR

ES

IT

TU

2. PRODUCT DESCRIPTION

2.1. Functional Description

The WALTHER PPS semi-automatic pistol operates on the short recoil, locked-breech system. When the trigger is squeezed, the striker is released and the cartridge is fired. The cumulative gas pressure propels the projectile down the bore of the barrel and out of the barrel. The resulting impulse causes a rearward movement of the barrel and slide. The barrel and slide recoil together for a short distance, until the barrel is unlocked from the slide by the camming action at the lower rear of the barrel. The breech end of the barrel is drawn downward and the rearward movement of the barrel it is stopped. The slide continues rearward, extracting the fired cartridge case from the chamber and ejecting it to the right. After the slide reaches the limit of its rearward travel, the recoil spring brings the slide forward again, stripping a new round from the magazine and pushing it into the chamber. The cycle of fire is completed with the locking of the barrel to the slide. The trigger must be released and squeezed again in order to fire the next shot.

PPS M2 PISTOL

PRODUCT DESCRIPTION

2.2 Ammunition

⚠ WARNING

Never use ammunition not specifically designated for use in your weapon. Failure to use the specific cartridge intended for use in the PPS pistol may cause the pistol to jam, fail to fire or even generate excessive gas pressure which can damage or destroy the pistol, cause personal injury, death or property damage.

Locate the caliber designation marked on the pistol. This information indicates the ammunition specifically intended for use in the pistol (see 2.3 Figure 1).

Use only ammunition corresponding to the caliber of the weapon and which conforms to the provisions of C.I.P. or SAAMI (or certified according to “Technische Richtlinie Patrone 9mm x 19 CIP schadstoffreduziert“).

Check your ammunition before shooting it. Use ammunition in prime condition. A firearm and ammunition are a system and must work together. Their performance is closely related. Different combinations of bullet velocity, and firearm weight can have major impact on felt recoil; high felt recoil can be able to some shooters.



2.2. Figure 1

For example:

- Gun Weight: lower gun weight increases felt recoil.
- Bullet Weight: higher bullet weight increases felt recoil.
- Bullet Velocity: higher bullet velocity increases felt recoil.

To adjust yourself to higher levels of felt recoil, consider the following:

- Use a firm two-hand hold on the grip when firing.
- Always begin your shooting experience with the lowest bullet velocity and lowest bullet weight available for your firearm.
- Ask your firearm dealer to suggest the lowest power, lowest velocity, lightest bullet weight for your firearm.
- You can also consider changing your firearm's grip configuration/composition to better fit your hand's specific size and shape.

PRODUCT DESCRIPTION

2.3 Functional Elements



- | | |
|--------------------------|---------------------|
| 1 Slide | 8 Magazine |
| 2 Front Sight | 9 Grip |
| 3 Take Down Catch | 10 Magazine Release |
| 4 Stop Notch | 11 Trigger |
| 5 Slide Slide Serrations | 12 Trigger Guard |
| 6 Slide Stop Lever | 13 Frame |
| 7 Rear Sight | |

| |
|----|
| EN |
| DE |
| FR |
| ES |
| IT |
| TU |



- | |
|-----------------------------|
| 1 Recoil Guide Rod Assembly |
| 2 Muzzle |
| 3 Model |
| 4 Slide End Cap |
| 5 Extractor |
| 6 Ejection Port |
| 7 Barrel |
| 8 Serial Number |



PPS M2 PISTOL

PRODUCT DESCRIPTION

2.4.1 Loaded Chamber Viewport

The PPS comes with a loaded chamber viewport (2.4.1 Fig. 1). This viewport can be observed by looking at the top of the ejection port, noting an opening at the rear of the barrel hood.

By looking into this opening, you can observe whether or not a round is in the barrel's chamber. If a round is in the chamber, you should be able to see the actual cartridge rim through this opening.



2.4.1 Figure 1

WARNING

Always treat every firearm as if it were loaded and ready to fire if the trigger is squeezed. Do not rely upon the loaded chamber indicator to verify the presence or absence of a round in the chamber. The surest method to determine the presence or absence of ammunition is to check the chamber of the firearm by removing the magazine and locking the slide in the open position.

WARNING

The amount of light, cleanliness of the pistol, discoloration of the ammunition and other factors may limit the effectiveness of the loaded chamber viewport.

After first checking that the magazine has been removed, pull the slide back until you can look into the chamber and verify whether it is empty or not.

2.4.2 Magazine Release

The magazine release is on the side of the grip.

Removing the magazine:

Grasp the pistol with your finger off the trigger and outside the trigger guard. Depress the magazine release and remove the magazine from the pistol (2.4.2 Figure 1).



2.4.2 Figure 1

PRODUCT DESCRIPTION

2.4.3 Slide Stop

Locking the slide in the open position:

Grasping the grip of the frame and with your finger off the trigger and outside the trigger guard, depress the magazine release, and completely remove the magazine. Firmly grasp the serrated sides of the slide from the rear with the thumb and fingers. While steadily holding the grip, briskly pull the slide fully rearward to extract any cartridge from the chamber and clear it from the pistol. To lock the slide in the open position, allow the slide to move slightly forward from the rearmost position while pressing upward on the slide stop (2.4.3 Figure 1).



2.4.3 Figure 1

Releasing the slide from the slide stop:

Press down on the slide stop with the thumb of your shooting hand to release the slide and allow it to move fully forward. For easier operation of the slide stop grasp the serrated sides of the slide from the rear and pull the slide to the rear while pressing down on the slide stop to release the slide and allow it to move fully forward.

2.4.4 Magazine

With three magazines of different length available for each caliber, the PPS frame length can be adjusted to fit any hand size. Available are magazines with flat floorplate, medium extension, or large extension:

| Caliber | 9 mm x 19 9 mm x 21 | .40 S&W |
|-------------------------------------|------------------------|---------|
| Small Magazine Floorplate (Small) | 6 | 5 |
| Medium Magazine Floorplate (Medium) | 7 | 6 |
| Large Magazine Floorplate (Large) | 8 | 7 |

The capacity of the magazine depends on the size of the floorplate.

The magazine tube and the number of witness holes is the same for any magazine size. When the magazine is removed from the magazine well in the grip, the number of rounds can be seen in the witness holes (2.4.4 Figure 1).



2.4.4 Figure 1

EN

DE

FR

ES

IT

TU

PPS M2 PISTOL

HANDLING THE PISTOL

3 HANDLING THE PISTOL

3.1 Inspecting the Pistol

- When you inspect the pistol, you should first check to ensure that it is unloaded. To do this, grasp the grip of the frame with your finger off the trigger and outside the trigger guard, point the muzzle in a safe direction, depress the magazine release and remove the magazine (3.1 Figure 1).
- Grasp the serrated sides of the slide from the rear with the thumb and fingers as shown in 3.1 Figure 2, and briskly draw the slide fully rearward in order to extract any cartridge from the chamber and clear it from the pistol. Do not obstruct the ejection port because doing so can interfere with the proper ejection of a cartridge.
- Lock the slide in the open position by allowing the slide to move slightly forward from the rear-most position while pressing upward on the slide stop (3.1 Figure 3).
- Check the chamber to verify that it is unloaded and check the bore visually that it is clean, dry, and free from any obstructions (3.1 Figure 4).
- You must follow this procedure every time the PPS leaves your hand, is cleaned, handed to you or another person, transported or stored.



3.1 Figure 1



3.1 Figure 2



3.1 Figure 3



3.1 Figure 4

WARNING

Never rely on mechanical features alone. Your proper handling of the pistol will ensure the safety of your firearm.

Firearm Safety is always your responsibility.

HANDLING THE PISTOL

3.2 Loading

3.2.1 Magazine

When the magazine is removed from the magazine well in the grip, the number of rounds can be seen in the witness holes (3.2.1 Figure 1).



3.2.1 Figure 1

⚠ WARNING

Do not attempt to load the magazine with more than the specified number of cartridges because doing so may cause a failure to feed a round of ammunition into the chamber. Do not use excessive force when loading the magazine, as this may damage the magazine. Damaged or defective magazines cause malfunctions and may cause improper functioning of the pistol.

Load the magazine by pressing a cartridge base (rear of cartridge) downward on the forward portion of the magazine follower (or downward on the case of a previously loaded cartridge) and sliding the cartridge fully under the lips of the magazine until the cartridge base is against the rear wall of the magazine. Repeat the procedure for the number of cartridges you wish to load, up to the magazine capacity (3.2.1 Figure 2).



3.2.1 Figure 2

3.2.2 Loading the Pistol

- Inspect the pistol as shown in section 3.1.
- Grasp the pistol with your finger off the trigger and outside the trigger guard, point the muzzle in a safe direction. Insert the loaded magazine into the magazine well of the pistol until it is locked in place. To make sure that the magazine is fully and securely inserted, try pulling down on the exposed portion of the magazine floorplate. It should not move.
- Pull the slide fully to the rear and let go allowing it to move fully forward.

EN

DE

FR

ES

IT

TU

PPS M2 PISTOL

HANDLING THE PISTOL

⚠ WARNING

Always load a round into the chamber by feeding it from the magazine. Never attempt to load the pistol by inserting a round into the chamber via the open ejection port. Failure to follow this warning may result in severe injury or death to you or others.

⚠ CAUTION

The pistol is now loaded and ready to fire. The pistol and its magazine are now loaded and will fire when the trigger is squeezed. Remember to keep the muzzle pointed in a safe direction under all conditions and always keep your finger or any other object off the trigger and outside the trigger guard until you decide to fire the pistol. Never leave a loaded firearm unattended or out of your direct control.

3.3 Firing

- Keep the muzzle pointed in a safe direction and your finger off the trigger and outside the trigger guard until you are ready to fire.
- How a handgun is gripped affects recoil and trigger control. Always ensure that you maintain a firm grip and proper alignment of the pistol. The design of the PPS frame offers a high degree of control permitting the shooter to obtain an elevated grip closer to the pistol's bore axis.
- With a firm grip, allow your finger to be placed squarely across the face of the trigger. Squeeze the trigger fully to the rear. As the trigger is drawn fully to the rear, the striker is released, striking the cartridge primer. Upon firing, the slide moves rearward thereby extracting and ejecting the spent cartridge case. The slide then returns forward feeding the next cartridge from the magazine into the chamber.
- After firing you must allow the trigger to move fully forward before you can fire the next shot. Keep your finger off the trigger and outside the trigger guard until you are ready to fire again. This sequence can be repeated until the last round has been fired. Once the last round has been fired, the magazine follower exerts upward pressure on the slide stop causing it to engage the slide and to hold it in the open position.

⚠ CAUTION

Wear adequate and proper hearing protection and safety glasses specified for firearm use. Upon firing the pistol or releasing the slide from its stop, the slide moves with significant force and speed. To avoid injury, be attentive to the moving slide so as to not make contact with any part of your body.

HANDLING THE PISTOL

3.4 Exchanging empty Magazines

Once the last round has been fired, the magazine follower exerts upward pressure on the slide stop causing it to engage the slide stop notch thereby holding it in the open position.

- Depress the magazine release and remove the magazine.
- To continue shooting, insert another loaded magazine.
- Pull the slide fully to the rear, let it go and allow it to run fully forward.



CAUTION

The pistol is ready to fire. With the muzzle still pointing in a safe direction, keep your trigger finger off the trigger and outside the trigger guard until ready to fire.

3.5 Unloading the pistol

- Point the muzzle in a safe direction. Make sure your finger is off the trigger and out of the trigger guard. Depress the magazine release and remove the magazine (3.5 Figure 1).
- Grasp the serrated sides of the slide from the rear with the thumb and fingers (3.5 Figure 2), and briskly draw the slide fully rearward in order to extract any cartridge from the chamber and clear it from the pistol. Do not obstruct the ejection port because doing so can interfere with proper ejection of a cartridge.
- Lock the slide in the open position by allowing the slide to move slightly forward from the rearmost position while pressing upward on the slide stop (3.5 Figure 3).
- Visually check the barrel chamber to be sure it is empty.
- Look into the chamber and down through the magazine well. Verify that no ammunition remains in the pistol.
- Unload the magazine by holding it with the bullet end of the cartridge pointing away from you and pressing each cartridge forward and out of the magazine.



3.5 Figure 1



3.5 Figure 2



3.5 Figure 3



WARNING

Also remember that any time you release the slide while a magazine containing cartridges is in the pistol, you will have chambered a new round in the pistol. The pistol will be ready to fire.

EN

DE

FR

ES

IT

TU

PPS M2 PISTOL

HANDLING THE PISTOL

3.6 Clearing Misfires

- If a cartridge fails to fire, wait ten seconds while keeping the muzzle pointed in a safe direction.
- Follow the procedure as described in section 3.5 “Unloading the pistol”.
- Check the barrel chamber and bore visually for any obstructions. You must be certain there are no cartridges in the chamber or obstructions in the barrel.



4 Field-Stripping, Cleaning, Lubrication and Maintenance

⚠ WARNING

Check that the pistol is unloaded (magazine removed from pistol and chamber clear). Also ensure that the magazine is unloaded.

4.1 Main Components

⚠ WARNING

To complete disassembly, you will be required to pull the trigger. If you have failed to properly unload your pistol and a live round is left in the chamber, the pistol will discharge and may cause serious injury or death to yourself or others and damage to property. Therefore, you must visually inspect the chamber and magazine well (opening) to ensure that they are empty before pulling the trigger.

4.1.1 Field-Stripping Disassembly

- Remove the magazine and unload the pistol. Lock the slide in the open position. Look into the chamber and down through the magazine well. Verify that no ammunition remains in the pistol.
- Close the slide: Pull the slide slightly to the rear. Slowly release the slide, allowing it to return to forward position.
- Point the pistol in a safe direction. Squeeze the trigger fully to the rear.
- Grip the take down catch from above on both sides and press downwards (4.1.1 Figure 1).
- Move the slide forward, and remove it from the frame.
- Remove the recoil guide rod assembly from below the barrel while taking up the spring pressure (4.1.1 Figure 2).
- Remove the barrel from the slide.
- The main components of the pistol are shown in (4.1.1 Figure 3).



4.1.1 Figure 1



4.1.1 Figure 2



4.1.1 Figure 3

EN

DE

FR

ES

IT

TU

PPS M2 PISTOL

FIELD-STRIPPING, CLEANING, LUBRICATION, AND MAINTENANCE

4.1.2 Field-Stripping Reassembly

- Hold the slide upside-down. Place the barrel inside the slide with the locking lugs oriented as shown in 4.1.2 Figure 1.
- Insert the recoil guide rod assembly: Place the smaller (black) end of the recoil rod into the spring mounting at the front of the slide, and then insert the large polymer end of the recoil spring into the lower barrel recess, while taking up the spring pressure (4.1.2 Figure 1 and 2).
- Push the slide from the front into the slide guides of the frame (4.1.2 Figure 3), far enough for the take down catch to engage. Release the slide and allow it to move fully forward into the locked position.



4.1.2 Figure 1



4.1.2 Figure 2



4.1.2 Figure 3



Note:

It is normal for the recoil guide rod assembly to flex when it is installed.

4.2 Magazine

4.2.1 Disassembly

The magazine spring is under pressure. Use caution when stripping down the magazine. Control the floorplate catch and the magazine spring while you remove the floorplate so that they do not fly out and cause injury.



4.2.1 Figure 1

1. For magazines with medium or large floorplate: Using e.g. a small screwdriver, first lift the Dust Cover's left and second its right front end gently a little bit off the floorplate. (4.2.1. Figure 1) Next, lift the Dust Cover's rear end. (4.2.1. Figure 2) Remove the Dust Cover by lifting it completely upward and off the floorplate. (4.2.1. Figure 3)



4.2.1 Figure 2

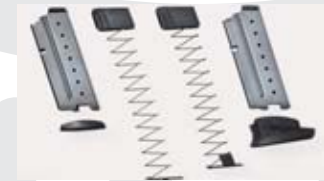
2. Using a 4 mm punch, depress the floorplate catch through the hole in the floorplate. For magazines with medium or large floorplate: Align the legs of the floorplate parallel to the rear wall of the magazine tube (4.2.1 Figure 4).
3. Slide the floorplate forward off of the magazine tube while continuing to depress the floorplate catch in the tube.
4. Remove the floorplate catch and spring carefully from the magazine tube through the bottom of the tube.
5. Turn the tube right side up and remove the follower through the bottom of the tube.



4.2.1 Figure 3



4.2.1 Figure 4



4.2.1 Figure 5

⚠ WARNING

Wear safety glasses when disassembling or assembling the magazine.

4.2.2 Assembly

1. Install the follower and magazine spring plus floorplate catch in reverse order back into the tube in exactly the same orientation as they were in when they were first removed during disassembly. Never use excessive force when assembling the magazine.



4.2.2 Figure 1

EN

DE

FR

ES

IT

TU

PPS M2 PISTOL

FIELD-STRIPPING, CLEANING, LUBRICATION, AND MAINTENANCE

2. While holding the floorplate catch in the tube, slide the floorplate onto the tube so that the round projection of the floorplate catch engages the hole in the floorplate. There will be an audible “snap” heard (4.2.2 Figure 1).

For magazines with medium or large floorplate: While holding the floorplate catch in the tube and the legs of the floorplate parallel to the rear wall of the magazine housing, slide the floorplate onto the tube (4.2.2 Figure 2).



4.2.2 Figure 2

3. For magazines with medium or large floorplate: Hold the Dust Cover with its pins facing downward and slide it over the magazine tube starting from the magazine's rear wall (4.2.2 Figure 3, step 1). Press the Dust Cover gently and smoothly from the top into the magazine's floorplate. (4.2.2 Figure 3, step 2).



4.2.2 Figure 3

4.3 Cleaning the Pistol

WARNING

Check that the pistol is unloaded (magazine removed from pistol and chamber clear). Also ensure that the magazine is unloaded.

Before using the pistol for the first time, it should be examined and cleaned. The pistol has been treated with either a preservative or oil to protect it against corrosion. Before using it, all excess oil should be wiped from the bore, chamber, and exposed areas using a clean swab or patch. Your firearm is a precision instrument. To ensure the reliable function of the pistol, it is necessary to establish routine maintenance procedures.

After each use of the pistol or after being subjected to extreme weather conditions, the pistol should be cleaned. Field-strip the pistol as previously described (section 4.1).

Starting with the barrel and from chamber end, insert a brush through the bore of the barrel until the bristles completely exit at muzzle end. Pull the brush back until the bristles completely exit at chamber end. Use a good powder-removing solvent and brass bristle bore brush to remove lead and firing residue from the interior of the barrel. Wipe the areas clean with patches or a swab.

Using a small brush dipped in solvent, remove all deposits from around the breech face, chamber end of the barrel, extractor and adjacent areas which have been exposed to powder or primer residue. Remove any residue on the frame with light brushing and a solvent. After cleaning, apply a light film of high quality gun lubricant to all external metal surfaces and wipe clean.

If the pistol will be used or stored in a cold climate, be sure to use appropriate lubricant that will not congeal at low temperatures.

! CAUTION

Always follow the instructions provided with the gun cleaner and gun lubricant. Some cleaners can cause damage to the pistol. You should avoid prolonged solvent immersion and prolonged ultrasonic cleaning of the pistol (maximum temperature for ultrasonic cleaning: 50 °C). Choice of solvent should be restricted to those products specifically developed for firearms maintenance. Ammonia based solvents or other strong alkaline solvents, should not be used on any WALTHER firearm.

EN

DE

FR

ES

IT

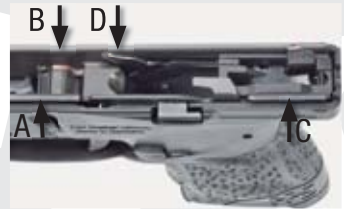
TU

4.4 Lubrication

After cleaning the entire pistol, use a cloth to apply a light film of high quality gun lubricant to all external metal surfaces and wipe clean.

Do not over-lubricate the pistol to the extent where lubricant will be dripping or running down the handgun. Excess lubricant can attract dirt, unburned powder and carbon residue, which can interfere with proper functioning of the pistol. Do not put any gun lubricant into the striker channel.

- **Barrel:** Use a cloth to apply a light film of high quality gun lubricant to all external surfaces and the ramp where the locking block cams the barrel.
- **Frame:** Put only one drop of lubricant on the slide guides (A, B, and C) and on the trigger bar (D) (4.4 Figure 1).
- **Slide:** Put only one drop of lubricant on the safety plunger (E) and the extractor plunger (F) (section 4.4 Fig. 2).
- **Magazine:** Apply a light film of high quality gun lubricant to all external metal surfaces.



4.4 Figure 1



4.4 Figure 2

4.5 Maintenance before Storing

Obey all laws and regulations relating to the storage of firearms in your country. When storing the pistol, do not encase the firearm in anything that will attract or hold moisture (such as leather or heavy cloth). If the firearm is to be stored for an extended period, the bore, chamber and internal working mechanism should be lubricated with a high quality lubricant or preservative intended for firearms. The external working mechanisms, slide, barrel, and magazine should be coated with anti-corrosion lubrication. Before using the PPS again, be sure to clean it. Every time you clean the firearm, check it for signs of wear. If wear is noted, do not use the firearm. Return it to WALTHER for service or have it checked by a qualified gunsmith.

PPS M2 PISTOL

ADJUSTING THE PISTOL TO ITS USER

5. ADJUSTING THE PISTOL TO ITS USER

5.1 Sights

The front and rear sight are replaceable. The point of impact is adjustable for windage and elevation.

WARNING

Check that the pistol is unloaded (magazine removed from pistol and chamber clear). Also ensure that the magazine is unloaded..

WINDAGE

Windage adjustments are made by drifting the steel rear sight from side to side with the rear sight adjustment tool. If shots group to the right, move the rear sight to the left, if they group to the left, move the rear sight to the right.



5.1 Figure 1

WARNING

adjustment tool is available

The original WALTHER Steel Rear Sight (5.1 Figure 1) will fit very tightly into the slot cut in the slide. The rear sight as an accessory and highly recommended when adjusting for windage. Do not remove the sleeve below the steel rear sight.

ADJUSTING THE PISTOL TO ITS USER

ELEVATION

Elevation adjustments are made by using front sights of varying height. Steel Front Sights of varying height are an accessory item. If the shots group low, use a lower front sight. For high grouping, use a higher one.

The front sights are numbered. The higher the number, the higher the front sight. Each stage results in a correction of the impact by about 5 cm over a 25 m distance from target. To change the front sight, field-strip the pistol as described in section 4.1 Remove the front sight screw (5.1 Figure 2) using a screwdriver and press the front sight upwards and out. Assembly is in reverse order.

Remember to make sure the screw and the thread inside the steel front sight are free of oil or grease. The thread of the front sight screw should be secured using an industrial adhesive (for example Loctite 648). Lightly tighten the front sight screw (apply a torque of 1 Nm).



5.1 Figure 2

5.2 Grip

With three magazines of different length available for each caliber (5.2 Fig. 1), the PPS frame length can be adjusted to fit any hand size.



5.2 Figure 1

EN

DE

FR

ES

IT

TU

PPS M2 PISTOL

TECHNICAL SPECIFICATIONS

6. TECHNICAL SPECIFICATIONS

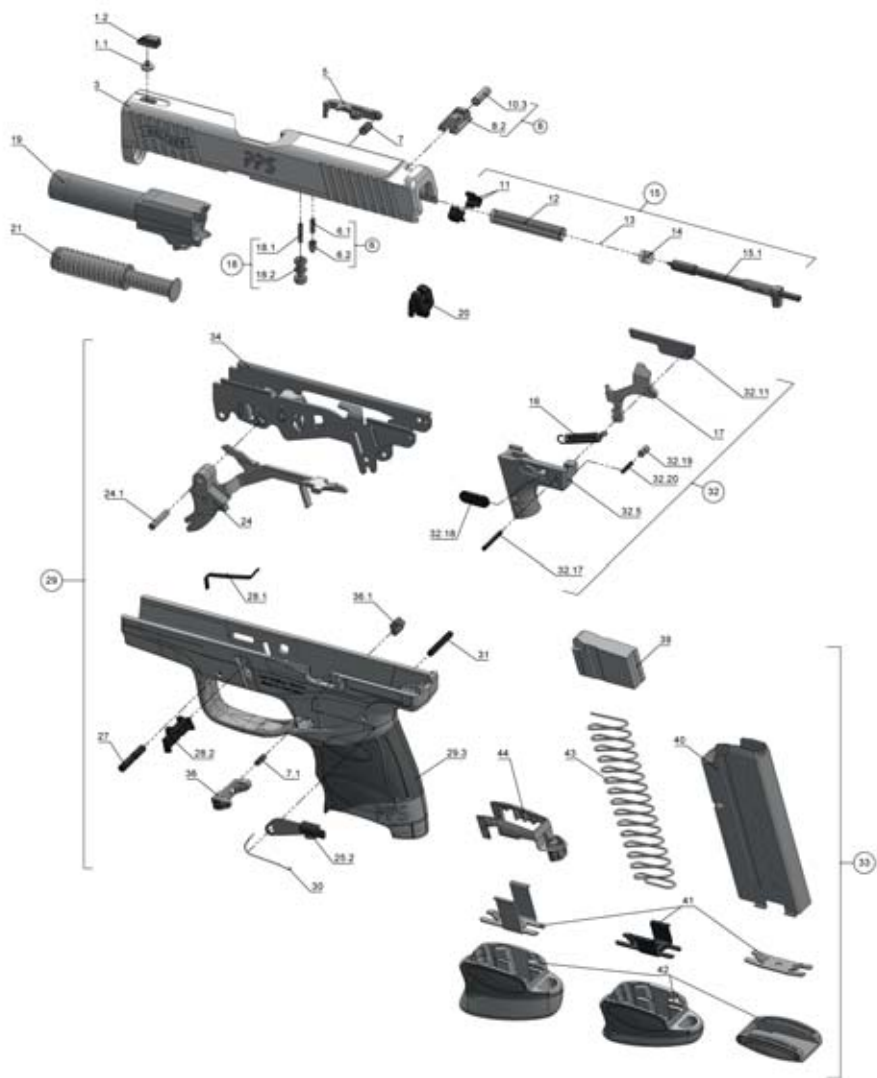
| Caliber | 9 mm x 19 / 9 mm x 21 | .40 S&W |
|------------------------------------|---|----------------------------|
| Magazine Capacity | 6 (7 / 8) rounds | 5 (6 / 7) rounds |
| Height [mm] | 110 (127 / 134) | 110 (127 / 134) |
| Length | 161 mm | 161 mm |
| Width [mm] | 27 (23 slide) | 27 (23 slide) |
| Barrel Length | 81 mm | 81 mm |
| Twist Rate | 250 mm right hand twist | 406 mm right hand twist |
| Sight Radius | 136 mm | 136 mm |
| Weight with empty Magazine [g] | 600 (610 / 620) | 590 (600 / 610) |
| Weight, empty Magazine [g] | 55 (65 / 75) | 55 (65 / 75) |
| Muzzle Energy E3, Bullet Weight | 395 J 8 g | 470 J 11,5 g |
| Action | short recoil operated, locked breech | |
| Fire Control Mechanism | semi automatic, striker fired pistol | |
| Trigger Action | Quick Defense Trigger | |
| Trigger Pull / Travel | 27 N / 7 mm (identical for every round) | |

Data based on average numbers. Actual numbers may vary.

Data shown in parenthesis refer to magazines Medium and Large.

EXPLODED DIAGRAM

7. EXPLODED DIAGRAM



| |
|----|
| EN |
| DE |
| FR |
| ES |
| IT |
| TU |

PPS M2 PISTOL

PARTS LIST

8. PARTS LIST

| Item No. | Designation | Item No. | Designation |
|----------|------------------------------|----------|--------------------------------|
| 1.1 | Front sight screw | 19 | Barrel .40 S&W ET |
| 1.2 | Front sight | 20 | Slide end cap |
| 3 | Slide 9 mm x 19 ET | 21 | Recoil guide rod assembly |
| 3 | Slide .40 S&W ET | 24 | Trigger assembly |
| 5 | Extractor | 24.1 | Trigger pin |
| 6 | Extractor plunger assembly | 25.2 | Slide stop lever |
| 6.1 | Extractor plunger | 27 | Take down pin |
| 6.2 | Spring, extractor plunger | 28.1 | Barrel lock spring |
| 7 | Spring, extractor 9 mm x 19 | 28.2 | Barrel lock |
| 7 | Spring, extractor .40 S&W | 29 | Frame assembly 9 mm x 19 ET |
| 7.1 | Spring, magazine release | 29 | Frame assembly 9 mm x 21 ET |
| 8 | Rear sight assembly | 29 | Frame assembly .40 S&W ET |
| 8.2 | Rear sight | 29.3 | Frame |
| 10.3 | Rear sight pin | 30 | Spring, slide stop lever |
| 11 | Keeper, striker spring | 31 | Pin 3 x 21 |
| 12 | Striker spring | 32 | Sear housing assembly |
| 13 | Striker guide | 32.5 | Sear housing |
| 14 | Striker return spring | 32.11 | Support |
| 15 | Striker assembly | 32.17 | Pin for trigger return spring |
| 15.1 | Striker | 32.18 | Stop plate |
| 16 | Trigger spring | 32.19 | Plunger for disconnecter |
| 17 | Disconnecter | 32.20 | Spring, disconnecter 9 mm x 19 |
| 18 | Striker safety assembly 2014 | 32.20 | Spring, disconnecter .40 S&W |
| 18.1 | Spring, striker safety | 33 | Magazine S 9 mm x 19 |
| 18.1 | Spring, striker safety | 33 | Magazine S .40 S&W |
| 18.2 | Striker safety plunger | 33 | Magazine M 9 mm x 19 |
| 19 | Barrel 9 mm x 19 ET | 33 | Magazine M .40 S&W |
| 19 | Barrel 9 mm x 21 ET | 33 | Magazine L 9 mm x 19 |

PARTS LIST

| Item No. | Designation | Item No. | Designation | EN |
|----------|-----------------------------|----------|---|----|
| 33 | Magazine L .40 S&W | 41 | Magazine floorplate catch L | DE |
| 34 | Frame insert | 42 | Magazine floorplate S | FR |
| 36 | Magazine release | 42 | Magazine floorplate M | ES |
| 36.1 | Keeper, magazine release | 42 | Magazine floorplate L | IT |
| 39 | Follower 9 mm x 19 | 43 | Magazine spring 9 mm x 19 | TU |
| 39 | Follower .40 S&W | 43 | Magazine spring .40 S&W for floorplates S and M | |
| 40 | Magazine tube 9 mm x 19 | 43 | Magazine spring .40 S&W for floorplate L | |
| 40 | Magazine tube .40 S&W | 44 | Dust cover | |
| 41 | Magazine floorplate catch S | | | |
| 41 | Magazine floorplate catch M | | | |

Note:

Same parts for 9 mm x 19 and 9 mm x 21 unless otherwise indicated.

The frame insert (34) and frame (29.3) are not available for separate purchase.

They can be purchased as a set, available as the frame assembly, ET (29).

ANALTHE



BEDIENUNGSANLEITUNG

PISTOLE PPS M2

EN

DE

FR

ES

IT

TU



LESEN SIE DIE ANWEISUNGEN UND WARNUNGEN IN
DIESER ANLEITUNG SORGFÄLTIG, BEVOR SIE DIESE
SCHUSSWAFFE BENUTZEN.

PISTOLE PPS M2



Hinweis:

Diese Bedienungsanleitung beschreibt die Bedienung der Pistole für zivile Anwender. Die Vorgaben für den behördlichen Einsatz der Pistole können von den Angaben in dieser Bedienungsanleitung abweichen.

In dieser Bedienungsanleitung wird von einer Lage der Pistole ausgegangen, die dem normalen Anschlag entspricht; d.h. mit horizontalem Lauf und mit nach unten weisendem Griff, wobei die Mündung nach vorne zeigt. Angaben, wie „oben“, „unten“, „rechts“, „links“ sowie „vorn“ und „hinten“ beziehen sich auf die Sicht eines die Pistole im Anschlag haltenden Schützen.

Die Erklärungen beziehen sich auf die Bedienung durch Rechtshänder. Linkshänder verfahren bitte in der für sie entsprechenden Weise.

Bitte beachten Sie: Die Abbildungen in dieser Bedienungsanleitung sind zur Erläuterung und können sich von den tatsächlichen Waffen unterscheiden.

INHALTSVERZEICHNIS

| | |
|--|-----------|
| 1 Sicherheitshinweise | 4 |
| 2 Produktbeschreibung | 5 |
| 2.1 Funktionsablauf | 5 |
| 2.2 Munition | 6 |
| 2.3 Bedien- und Funktionselemente | 7 |
| 3 Bedienung | 10 |
| 3.1 Überprüfung der Pistole | 10 |
| 3.2 Laden | 11 |
| 3.3 Schießen | 12 |
| 3.4 Magazinwechsel | 12 |
| 3.5 Entladen | 13 |
| 3.6 Verhalten bei Versagern | 14 |
| 4 Demontage, Reinigen, Ölen und Pflege | 14 |
| 4.1 Hauptgruppen | 14 |
| 4.2 Magazin | 16 |
| 4.3 Reinigen | 18 |
| 4.4 Ölen | 19 |
| 4.5 Vorbereitung zur Lagerung | 19 |
| 5 Anpassung der Pistole an den Bediener | 20 |
| 5.1 Visierung | 20 |
| 5.2 Griff | 21 |
| 6 Technische Daten | 22 |
| 7 Explosionsdarstellung | 23 |
| 8 Teileliste | 24 |

PISTOLE PPS M2

SICHERHEITSHINWEISE

1. SICHERHEITSHINWEISE

- Lesen Sie diese Bedienungsanleitung vor Benutzung der Pistole gründlich durch. Benutzen Sie die Pistole erst dann, wenn Sie die Anleitung verstanden haben. Jede Beschreibung von Pistolenteilen und alle Tätigkeiten sind im Allgemeinen nur einmal in dieser Bedienungsanleitung aufgeführt. Je nach Umfang wird deshalb ggf. auf bereits vorhandene Beschreibungen in anderen Kapiteln hingewiesen.
- Zur Durchführung der Sicherheitsüberprüfung und vor der Benutzung, bei Störungen und vor dem Reinigen ist zu prüfen, ob die Pistole entladen (Magazin aus der Pistole und Patronenlager frei), der Lauf frei von Fremdkörpern und das Magazin leer ist.
- Bewahren Sie die Pistole und Munition getrennt voneinander auf. Unbefugte (insbesondere Kinder) dürfen keinen Zugriff darauf erhalten.
- Gehen Sie auch mit der ungeladenen Pistole so um, als ob sie geladen wäre. Halten Sie die Pistole immer so, dass Sie sich und Andere nicht gefährden. Richten Sie die Pistole immer in eine sichere Richtung. Richten Sie die Pistole niemals auf Personen oder Ziele, die Sie nicht treffen möchten, unabhängig davon, ob die Pistole geladen ist oder nicht. Gehen Sie davon aus, dass auch die sicherste Pistole durch unsachgemäßen Umgang für Sie und Andere gefährlich werden kann.
- Beachten Sie: Keinen Finger am Abzug, außer zur gewollten Schussabgabe. Der Abzugfinger ist grundsätzlich außen am Abzugsbügel anzulegen. Der Abzug darf nur betätigt werden, wenn die Pistole auf das Ziel gerichtet ist.
- Wenden Sie bei der Bedienung, der Überprüfung, beim Zerlegen, Reinigen und beim Zusammenbau nie Gewalt an. Unsachgemäße Handhabung kann die Funktion und die Sicherheit der Pistole beeinträchtigen. Zerlegen Sie die Pistole nur so weit, wie in dieser Anleitung beschrieben.
- Sicherheit und Funktion sind nur gewährleistet, solange sich Pistole und Munition in technisch einwandfreiem Zustand befinden.
- Beachten Sie, dass die Pistole nach Einwirkung von außen, z.B. Korrosion, Herunterfallen, usw., durch eine qualifizierte Fachkraft überprüft werden muss.
- Tragen Sie beim Schießen immer Gehörschutz und Schutzbrille. Machen Sie Personen, die sich in Ihrer Nähe aufhalten, auf das Tragen von Gehörschutz und Schutzbrille aufmerksam.
- Ihre Schusswaffe ist für Munition eines speziellen Kalibers ausgelegt. Die richtige Bezeichnung der zu Ihrer Pistole passenden Munition ist auf der Waffe angegeben. Gebrauchen Sie nur Munition, die den Vorgaben der Commission Internationale Permanente pour l'Épreuve des Armes à Feu portatives (C.I.P.) oder des Sporting Arms and Ammunition Manufacturers Institute (SAAMI) und dem Kaliber der Schusswaffe entspricht. Besonders bei Verwendung von wiedergeladener Munition ist darauf zu achten, dass der nach Norm zulässige Gasdruck nicht überschritten wird. Überhöhter

Druck kann eine Schusswaffe beschädigen oder sie sogar sprengen. Munition, deren Geschwindigkeit und Gasdruck höher sind als die Werte, für welche die Schusswaffe ausgelegt ist, setzt die Schusswaffe zusätzlicher Belastung aus, verursacht übermäßigen Verschleiß und kann zu schwerwiegenden Beschädigungen an der Schusswaffe führen.

- Wischen Sie vor dem Laden immer jegliches überschüssige Fett und Öl ab, und stellen Sie sicher, dass der Lauf sauber und frei von Fremdkörpern ist.
- Ersetzen, bearbeiten, verändern oder verstellen Sie kein Teil an Ihrer Pistole über den in dieser Anleitung beschriebenen Umfang hinaus. Instandsetzungs- und Servicearbeiten sind durch WALTHER oder eine qualifizierte Werkstatt auszuführen. Unsachgemäße Veränderungen können die Sicherheit und Zuverlässigkeit der Pistole beeinträchtigen und zu Verletzungen oder zum Tode führen.

HAFTUNGAUSSCHLUSS

Beim Umgang mit Waffen ist stets besondere Vorsicht geboten. Es besteht stets die Gefahr, gegebenenfalls auch unbeabsichtigt, Leib und Leben von Personen oder Sachwerte zu beschädigen. WALTHER schließt jegliche Haftung für Schäden aus, die auf eine unsach gemäße oder gegen geltende gesetzliche Vorschriften verstoßende Verwendung der Pistole zurückzuführen sind. Dasselbe gilt für Schäden, die aus der Nichtbeachtung dieser Bedienungsanleitung, unbefugten Austausch von Einzelteilen oder sonstigen Eingriffen an der Pistole resultieren, die durch diese Bedienungsanleitung nicht ausdrücklich vorgesehen sind.

2 PRODUKTBESCHREIBUNG

2.1 Funktionsablauf

Das Verschlusssystem der PPS nutzt das Prinzip des verriegelten Rückstoßladers. Beim Zurückziehen des Abzugs wird das Schlagbolzenschloss ausgelöst. Der Schlagbolzen schlägt auf das Zündhütchen der Patrone und zündet die Treibladung. Das Geschoss wird durch den entstehenden Gasdruck aus dem Lauf getrieben. Gleichzeitig überträgt sich ein Impuls auf die mit dem Lauf formschlüssig verriegelte Verschlussgruppe. Nach einem kurzen gemeinsamen Rücklauf von Lauf und Verschluss wird der Lauf nach unten gesteuert und die Verriegelung gelöst. Der Lauf bleibt stehen, während der Verschluss gegen die Kraft der Schließfeder bis zum Anschlag zurückgleitet und die Hülse nach rechts auswirft. Angetrieben durch die Schließfeder führt der Verschluss während des dann folgenden Vorlaufs die oberste Patrone aus dem Magazin in das Patronenlager zu. Kurz vor Ende des Verschlussvorlaufs wird der abgekippte Lauf nach oben vorne gedrückt und im Auswurf fenster des Verschlusses verriegelt. Der Schütze nimmt den Finger vom Abzug und die Pistole ist für den nächsten Schuss bereit.

EN

DE

FR

ES

IT

TU

PISTOLE PPS M2

PRODUKTBESCHREIBUNG

2.2 Munition

! WARNUNG

Verwenden Sie nur die für Ihre Pistole passende Munition. Falsche Munition kann zu Funktionsstörungen, Zündversagern oder durch zu hohen Gasdruck zur Beschädigung oder Zerstörung Ihrer Pistole führen.

Auf der rechten Seite des Laufs ist die Bezeichnung der zu Ihrer PPS passenden Munition angegeben (siehe 2.3 Abbildung 1). Verwenden Sie nur Patronen, die dieser Munitionsbezeichnung entsprechen und deren Gasdruck den Vorgaben von C.I.P. oder SAAMI entspricht, oder nach „Technische Richtlinie Patrone 9mm x 19 schadstoffreduziert“ für die Verwendung in Polizeiwaffen freigegeben ist. Kontrollieren Sie die Munition vor Gebrauch. Verwenden Sie nur einwandfreie Munition. Pistole und Munition bilden ein System und müssen zueinander passen. Ihre Zuverlässigkeit hängt gegenseitig voneinander ab. Unterschiedliche Kombinationen aus Waffengewicht, Geschossgewicht und Geschossgeschwindigkeit wirken sich auf den gefühlten Rückstoß aus. Ein zu starker Rückstoß der Pistole kann sich für manche Schützen unangenehm anfühlen.



2.2 Abbildung 1

Beispiele:

- **Waffengewicht:** Bei geringerem Waffengewicht wird der Rückstoß als »kräftiger« empfunden.
- **Geschossgewicht:** Je schwerer das Geschoss, desto stärker der Rückstoß.
- **Geschossgeschwindigkeit:** Höhere Geschossgeschwindigkeit verstärkt den Rückstoß.

Um sich an einen stärkeren Rückstoß zu gewöhnen, können Sie folgendermaßen vorgehen:

- Halten Sie die Pistole beim Schießen im beidhändigen Anschlag.
- Beginnen Sie mit der für Ihre Pistole passenden Munition, mit geringem Geschossgewicht und niedriger Geschossgeschwindigkeit.
- Lassen Sie sich von Ihrem Fachhändler bezüglich schwächerer Munition, geringer Geschossgeschwindigkeit und leichtem Geschossgewicht für Ihre Pistole beraten.
- Passen Sie die Größe des Griffs Ihrer Pistole an Ihre Erfordernisse an.

PRODUKTBESCHREIBUNG

2.3 Bedien- und Funktionselemente



- 1 Verschluss
- 2 Korn
- 3 Laufhalter
- 4 Fanghebelraste
- 5 Spannrielen
- 6 Fanghebel
- 7 Visier
- 8 Magazin
- 9 Griff
- 10 Magazinhalter
- 11 Abzug
- 12 Abzugsbügel
- 13 Griffstück

- EN
- DE**
- FR
- ES
- IT
- TU

- 1 Schließfederstange
- 2 Mündung
- 3 Modellbezeichnung
- 4 Verschlusskappe
- 5 Auszieher
- 6 Auswurfenster
- 7 Lauf
- 8 Seriennummer



PISTOLE PPS M2

PRODUKTBESCHREIBUNG

2.4.1 Geladenanzeige

PPS Pistolen besitzen eine Geladenanzeige in Form einer Aussparung, oben, am hinteren Ende des Aufwurffens (2.4.1 Abb. 1). Blicken Sie in die Aussparung, um zu sehen, ob sich eine Patrone im Patronenlager befindet. Wenn eine Patrone geladen ist, ist der normalerweise messing- oder silberfarbige Patronenboden zu erkennen.



2.4.1 Abbildung 1

ACHTUNG

Gehen Sie mit jeder Waffe so um, als ob sie geladen wäre und schießen würde, wenn der Abzug betätigt wird.

Verlassen Sie sich bei der Sicherheitskontrolle nicht ausschließlich auf die Geladenanzeige. Die zuverlässigste Methode zur Kontrolle ist der Blick in das Patronenlager. Dazu nehmen Sie das Magazin aus der Pistole, ziehen den Verschluss bis zum Anschlag zurück, arretieren ihn mit dem Verschlussfanghebel und blicken in das Patronenlager.

ACHTUNG

Eine Geladenanzeige kann zwar einen Hinweis darauf geben, ob sich eine Patrone im Patronenlager befindet oder nicht, jedoch können Faktoren wie Lichtverhältnisse, Verschmutzung der Pistole, Verfärbung der Munition und andere Einflüsse das zuverlässige Erkennen einer Patrone erschweren. Entnehmen Sie das Magazin aus der Pistole, ziehen Sie den Verschluss bis zum Anschlag zurück und arretieren Sie ihn mit dem Verschlussfanghebel. Blicken Sie in das Patronenlager. Das Patronenlager muss leer sein.

2.4.2 Magazinhalter

Der Magazinhalter befindet sich seitlich am Griff.

Bedienung:

Die Finger befinden sich außerhalb des Abzugsbügels und berühren den Abzug nicht. Drücken Sie den Magazinhalter und entfernen Sie das Magazin (2.4.2 Abb. 1).



2.4.2 Abbildung 1

PRODUKTBE SCHREIBUNG

2.4.3 Fanghebel

Verschluss in geöffneter Stellung arretieren:

Die Finger befinden sich außerhalb des Abzugsbügels und berühren den Abzug nicht. Entfernen Sie das Magazin, dann greifen Sie den Verschluss von hinten an den Spannrielen und ziehen ihn kräftig bis zum Anschlag zurück. Falls sich eine Patrone im Patronenlager befindet, wird diese dabei aus dem Patronenlager ausgezogen und ausgeworfen.

Während Sie den Verschluss in der hintersten Stellung halten, schieben Sie den Fanghebel nach oben und lassen den Verschluss langsam vor, bis er vom Fanghebel gehalten wird (2.4.3 Abb. 1).



2.4.3 Abbildung 1

EN

DE

FR

ES

IT

TU

Fanghebel auslösen:

Drücken Sie den Fanghebel mit dem Daumen der Schießhand nach unten, bis der Verschluss nach vorne schnellt. Zur Erleichterung bei der Bedienung des Fanghebels mit dem Daumen kann der Verschluss zurückgezogen werden, während gleichzeitig der Fanghebel wie oben beschrieben betätigt wird.

2.4.4 Magazin

Es sind drei unterschiedlich große Magazine erhältlich. Durch Wahl des entsprechenden Magazins kann die Länge des Pistolengriffs an den Bedarf des Schützen angepasst werden. Es besteht die Auswahl zwischen flachem Boden, mittlerer Verlängerung oder großer Verlängerung:

| Kaliber | 9 mm x 19 9 mm x 21 | .40 S&W |
|------------------------------------|------------------------|---------|
| Flacher Magazinboden (Small) | 6 | 5 |
| Mittelgroßer Magazinboden (Medium) | 7 | 6 |
| Großer Magazinboden (Large) | 8 | 7 |

Die Magazinkapazität richtet sich nach der Größe des Magazinbodens.

Die Magazingehäuse und die darin angebrachten Bohrungen zur Ladestandsanzeige sind bei allen Magazinen gleich. Anhand der Öffnungen im Magazingehäuse kann der Ladestand des Magazins erkannt werden (2.4.4 Abb. 1).



2.4.4 Abbildung 1

PISTOLE PPS M2

BEDIENUNG

3 BEDIENUNG

3.1 Überprüfung der Pistole

- Vor der Überprüfung Ihrer PPS kontrollieren Sie, ob die Pistole entladen ist: Richten Sie die Mündung der Pistole in eine sichere Richtung. Die Finger befinden sich außerhalb des Abzugsbügels und berühren den Abzug nicht. Drücken Sie den Magazinhalter und entfernen Sie das Magazin (3.1 Abb. 1).
- Greifen Sie den Verschluss von hinten an den Spannrielen (3.1 Abb. 2) und ziehen Sie ihn kräftig bis zum Anschlag zurück. Falls sich eine Patrone im Patronenlager befindet, wird diese dabei aus dem Patronenlager ausgezogen und ausgeworfen. Verdecken Sie nicht das Auswurffenster, da die Patrone sonst nicht korrekt ausgeworfen wird.
- Arretieren Sie den Verschluss in der geöffneten Stellung. Während Sie den Verschluss in der hintersten Stellung halten, schieben Sie den Fanghebel nach oben und lassen den Verschluss langsam vor, bis er vom Fanghebel gehalten wird (3.1 Abb. 3).
- Stellen Sie sicher, dass Patronenlager (3.1 Abb. 4) und Lauf frei, trocken und sauber sind. Führen Sie diese Überprüfung stets durch, bevor Sie Ihre PPS aus der Hand legen, reinigen, an eine andere Person übergeben, transportieren oder lagern.



3.1 Abbildung 1



3.1 Abbildung 2



3.1 Abbildung 3



3.1 Abbildung 4

⚠ ACHTUNG

Verlassen Sie sich nicht ausschließlich auf die Technik. Tragen Sie durch umsichtigen Umgang mit Waffen zu Ihrer eigenen Sicherheit bei. Der sicherheitsbewusste Umgang mit Waffen liegt in Ihrer Verantwortung.

3.2 Laden

3.2.1 Magazin füllen

Anhand der Öffnungen im Magazingehäuse kann der Ladestand des Magazins erkannt werden.



3.2.1 Abbildung 1



Hinweis:

Verwenden Sie ausschließlich die für Ihre Pistole vorgesehenen Magazine. Andere Magazine können zu Funktionsstörungen oder Beschädigung von Pistole und Magazin führen.

ACHTUNG

Versuchen Sie nicht, mehr Patronen zu laden, als für das jeweilige Magazin vorgesehen. Dies könnte sonst zu Zuführstörungen führen. Wenden Sie keine Gewalt an, da dies eine Beschädigung des Magazins zur Folge haben könnte. Beschädigte oder verformte Magazine und Magazinlippen verursachen Funktionsstörungen und damit den Ausfall der Pistole.

Laden Sie das Magazin, indem Sie den vorderen Teil des Zubringers mit dem Patronenboden nach unten drücken und die Patrone unter die Magazinlippen schieben, bis der Patronenboden die hintere Magazinwand berührt. Wiederholen Sie diesen Vorgang, indem Sie mit dem Boden der jeweils nächsten Patrone und dem Daumen der zweiten Hand die oberste Patrone im Magazin nach unten drücken und die neue Patrone dann unter die Magazinlippen schieben (3.2.1 Abb. 2).



3.2.1 Abbildung 2

3.2.2 Laden der Pistole

- Überprüfen Sie die Pistole wie in Kapitel 3.1 beschrieben.
- Richten Sie die Mündung der Pistole in eine sichere Richtung. Der Finger liegt außerhalb des Abzugsbügels, berührt insbesondere den Abzug nicht. Führen Sie das Magazin in den Magazinschacht ein, bis es einrastet. Vergewissern Sie sich, ob das Magazin eingerastet ist, indem Sie das Magazin am Magazinboden nach unten ziehen. Das Magazin darf sich nicht lösen.
- Ziehen Sie den Verschluss zurück und lassen Sie ihn nach vorn schnellen.

PISTOLE PPS M2

BEDIENUNG

! ACHTUNG

Führen Sie Patronen ausschließlich über das Magazin in das Patronenlager ein. Versuchen Sie nicht, eine Patrone einzeln durch das Auswurffenster in das Patronenlager einzuführen. Sie könnten sich oder andere dabei ernsthaft oder gar tödlich verletzen.

! WARNUNG

Die Pistole ist nun schussbereit. Ihre Pistole und das Magazin sind geladen und es wird ein Schuss ausgelöst, wenn der Abzug betätigt wird. Richten Sie die Mündung der Pistole unter allen Umständen in eine sichere Richtung und halten Sie Ihren Abzugsfinger und andere Objekte vom Abzug entfernt und außerhalb des Abzugsbügels. Geben Sie eine geladene Waffe nicht aus der Hand.

3.3 Schießen

- Richten Sie die Mündung der Pistole in eine sichere Richtung und halten Sie Ihren Abzugfinger vom Abzug fern und außerhalb des Abzugsbügels, bis Sie schießen möchten.
- Nutzen Sie die günstige Form des Griffs der PPS, indem Sie ihn so hoch wie möglich greifen. Damit lässt sich die Pistole beim Schuss besser kontrollieren.
- Während Sie den Griff der Pistole kräftig halten, gehen Sie mit Ihrem Finger frontal auf den Abzug und ziehen ihn mit zunehmender Kraft durch, bis der Schuss bricht. Während der Schussabgabe fährt der Verschluss nach hinten und wirft die Patronenhülse aus. Anschließend fährt der Verschluss wieder nach vorn und führt dem Patronenlager die nächste Patrone aus dem Magazin zu.
- Nach dem Schuss nehmen Sie den Finger vom Abzug und halten ihn außerhalb des Abzugsbügels, bis Sie für den nächsten Schuss bereit sind. Diesen Ablauf können Sie bis zum letzten Schuss wiederholen. Nach dem letzten Schuss betätigt der Zubringer des Magazins den Fanghebel und der Verschluss wird in offener Stellung gefangen.

! ACHTUNG

Tragen Sie beim Schießen Gehörschutz und Schutzbrille. Bei der Schussabgabe oder bei Betätigung des Verschlussfanghebels bewegt sich der Verschluss mit beträchtlicher Kraft und Geschwindigkeit in Längsrichtung. Halten Sie deshalb die Pistole so, dass sich kein Körperteil von Ihnen in der Bewegungsbahn des Verschlusses befindet.

3.4 Magazinwechsel

Nach dem letzten Schuss betätigt der Zubringer des Magazins den Fanghebel und der Verschluss wird in geöffneter Stellung gefangen.

- Betätigen Sie den Magazinhalter und entfernen Sie das Magazin.

- Laden Sie ein neues Magazin
- Ziehen Sie den Verschluss zurück und lassen Sie ihn nach vorn schnellen

⚠️ WARNUNG

Die Pistole ist wieder schussbereit. Richten Sie die Mündung der Pistole in eine sichere Richtung, halten Sie Ihren Abzugfinger vom Abzug entfernt und außerhalb des Abzugbügels, bis Sie für den nächsten Schuss bereit sind.

3.5 Entladen

- Richten Sie die Mündung in eine sichere Richtung. Die Finger befinden sich außerhalb des Abzugbügels und berühren den Abzug nicht. Drücken Sie den Magazinhalter und entfernen Sie das Magazin (3.5 Abb. 1).
- Greifen Sie den Verschluss von hinten an den Spannrielen (3.5 Abb. 2) und ziehen ihn kräftig bis zum Anschlag zurück. Falls sich eine Patrone im Patronenlager befindet, wird diese dabei ausgezogen und ausgeworfen. Verdecken Sie dabei nicht das Auswurfenster, da die Patrone sonst nicht zuverlässig ausgeworfen wird.
- Arretieren Sie den Verschluss in der geöffneten Stellung: Während Sie den Verschluss in der hintersten Stellung halten, schieben Sie den Fanghebel nach oben und lassen den Verschluss langsam vor, bis er vom Fanghebel gehalten wird (3.5 Abb. 3).
- Kontrollieren Sie das Patronenlager. Das Patronenlager muss leer sein. Kontrollieren Sie den Magazinschacht. Der Magazinschacht muss leer sein.
- Zum Entladen des Magazins halten Sie das Magazin so, dass die Geschosse von Ihnen weg gerichtet sind. Schieben Sie die jeweils oberste Patrone nach vorn aus dem Magazin.



3.5 Abbildung 1



3.5 Abbildung 2



3.5 Abbildung 3

⚠️ WARNUNG

Immer wenn Sie den Verschluss schließen, während ein geladenes Magazin in der Pistole ist, wird eine Patrone in das Patronenlager zugeführt und die Pistole ist wieder schussbereit.

PISTOLE PPS M2

BEDIENUNG

3.6 Verhalten bei Versagern

- Bei einem Versager warten Sie 10 Sekunden und richten die Mündung der Pistole in eine sichere Richtung.
- Entladen Sie die Pistole wie in Kapitel „3.5 Entladen“ beschrieben.
- Nun können Sie durch Sichtkontrolle das Patronenlager und den Lauf prüfen. Patronenlager und Lauf müssen frei sein.

4 Demontage, Reinigen, Ölen und Pflege

⚠ ACHTUNG

Stellen Sie vor den Arbeiten sicher, dass Pistole und Magazin entladen sind.

4.1 Hauptgruppen

⚠ WARNUNG

Für das Zerlegen der Pistole ist es erforderlich, den Abzug zu betätigen. Wenn die Pistole nicht korrekt entladen wurde und sich noch eine Patrone im Patronenlager befindet, wird sich beim Abziehen ein Schuss lösen und Leib und Leben des Bedieners oder anwesender Personen kann gefährdet werden, oder Sachschaden entstehen. Deshalb müssen Sie vor dem Betätigen des Abzugs Patronenlager und Magazinschacht prüfen. Patronenlager und Magazinschacht müssen leer sein.

4.1.1 Demontage

- Entladen Sie die Pistole: Entfernen Sie das Magazin und arretieren Sie den Verschluss in geöffneter Stellung. Das Patronenlager und der Magazinschacht müssen leer sein.
- Schließen Sie den Verschluss: Ziehen Sie den Verschluss zurück und führen Sie ihn nach vorn.
- Richten Sie die Mündung in eine sichere Richtung und entspannen Sie den Schlagmechanismus, indem Sie den Abzug betätigen.
- Greifen Sie von oben den Laufhalter auf beiden Seiten und schieben Sie ihn nach unten (4.1.1 Abb. 1).
- Schieben Sie den Verschluss vorwärts vom Griffstück.
- Entfernen Sie die Schließfedereinheit gegen den Druck der Schließfeder (4.1.1 Abb. 2).



4.1.1 Abbildung 1



4.1.1 Abbildung 2

DEMONTAGE, REINIGEN, ÖLEN UND PFLEGE

- Nehmen Sie den Lauf aus dem Verschluss.
- 4.1.1 Abb. 3 zeigt die die in ihre Hauptgruppen zerlegte Pistole.



4.1.1 Abbildung 3

4.1.2 Montage

- Halten Sie den Verschluss mit der Unterseite nach oben gerichtet. Setzen Sie den Lauf ein, vgl. Abb. 1.
- Setzen Sie die Schließfedereinheit ein: Setzen Sie die Schließfedereinheit mit dem schwarzen, kleinen Ende der Federführungsstange in Richtung Mündung gerichtet in das Federlager des Verschlusses und anschließend gegen den Druck der Schließfeder mit dem hinteren Ende in die Vertiefung am Lauf ein (4.1.2 Abb. 1 und 2).



4.1.2 Abbildung 1



4.1.2 Abbildung 2



Hinweis:

Eine leichte Krümmung der Schließfedereinheit in teilmontiertem Zustand ist normal.

- Schieben Sie den montierten Verschluss von vorn auf die Schienen des Griffstücks (4.1.2 Abb. 3). Ziehen Sie den Verschluss bis zum Anschlag zurück und lassen Sie ihn dann nach vorn in die verriegelte Position gleiten.



4.1.2 Abbildung 3

PISTOLE PPS M2

DEMONTAGE, REINIGEN, ÖLEN UND PFLEGE

4.2 Magazin

4.2.1 Zerlegen

Die Magazinfeder steht unter Druck. Beim Zerlegen des Magazins können Teile herausgeschleudert werden. Seien Sie vorsichtig beim Zerlegen des Magazins. Halten Sie den Bodenhalter, während Sie den Magazinboden abnehmen und entnehmen Sie den Bodenhalter inklusive Magazinfeder vorsichtig aus dem Magazingehäuse.

1. Bei Magazinen mit Fingerauflage am Magazinboden: Hebeln Sie das Dust Cover z.B. mit einem kleinen Schraubendreher vorne links, dann rechts vorsichtig etwas aus dem Magazinboden, dann hinten. (4.2.1 Abb. 1 u. 2), Entfernen Sie anschließend das Dust Cover, indem Sie es nach oben aus dem Magazinboden entnehmen. (4.2.1 Abb. 3).
2. Drücken Sie den Bodenhalter mit einem 4 mm Splintentreiber durch die Bohrung im Magazinboden nach innen in das Magazingehäuse. Bei Magazinen mit Fingerauflage am Magazinboden: Richten Sie während diesem Arbeitsgang die seitlichen Verlängerungen des Bodenhalters parallel zur Rückwand des Magazingehäuses aus (4.2.1 Abb. 4).
3. Schieben Sie den Boden nach vorn und nehmen Sie ihn vom Magazingehäuse ab, während Sie den Bodenhalter gegen den Druck der Magazinfeder halten.
4. Entnehmen Sie Bodenhalter und Magazinfeder.
5. Schütteln Sie den Zubringer aus dem Magazingehäuse.



4.2.1 Abbildung 1



4.2.1 Abbildung 2



4.2.1 Abbildung 3



4.2.1 Abbildung 4



4.2.1 Abbildung 5

4.2.2 Zusammenbau

1. Führen Sie zunächst den Zubringer und dann die Magazinfeder mit Bodenhalter in das Magazingehäuse ein. Achten Sie auf die richtige Ausrichtung der Teile. Die Teile lassen sich ohne Gewaltanwendung einbauen.
2. Während Sie den Bodenhalter in das Magazingehäuse drücken, schieben Sie den Magazinboden von vorne auf, bis er hörbar einrastet (4.2.2 Abb. 1).
Bei Magazinen mit Fingerauflage am Magazinboden: Richten Sie während diesem Arbeitsgang die seitlichen Verlängerungen des Bodenhalters parallel zur Rückwand des Magazins aus (4.2.2 Abb. 2).
3. Bei Magazinen mit Fingerauflage am Magazinboden: Halten Sie das Dust Cover mit den Zapfen nach unten und stecken sie es von hinten (4.2.2 Abb. 3, Schritt 1) auf das Magazingehäuse. Drücken Sie das Dust Cover vorsichtig und gleichmäßig von oben in den Magazinboden. (4.2.2 Abb. 3, Schritt 2).



4.2.2 Abbildung 1



4.2.2 Abbildung 2



4.2.2 Abbildung 3

EN

DE

FR

ES

IT

TU

PISTOLE PPS M2

DEMONTAGE, REINIGEN, ÖLEN UND PFLEGE

4.3 Reinigen

! ACHTUNG

Stellen Sie vor dem Reinigen sicher, dass Pistole und Magazin entladen sind.

Reinigen Sie die fabrikneue Pistole vor dem ersten Schießen. Die Pistole wurde entweder mit Konservierungsmittel oder Öl behandelt, um sie vor Korrosion zu schützen. Vor dem ersten Gebrauch der neuen Pistole entfernen Sie überschüssiges Öl aus Lauf und Patronenlager,

sowie von den außenliegenden Flächen.

Ihre Pistole ist ein Präzisionsinstrument. Pflegen Sie die Pistole regelmäßig, um eine zuverlässige Funktion zu gewährleisten.

Nach jedem Einsatz der Pistole oder nachdem sie extremen Witterungsbedingungen ausgesetzt war, sollte sie gereinigt werden.

Zerlegen Sie die Pistole in die Hauptgruppen (siehe Kap. 4.1).

Reinigen Sie den Lauf mit Reinigungsbürste und Laufreiniger, vom Patronenlager her beginnend. Entfernen Sie Blei und Rückstände mit einer Messingbürste aus dem Lauf. Lauf und Patronenlager müssen sauber sein.

Säubern Sie die Außenflächen des Laufs mit Lappen und Reinigungsstäbchen. Mit einer kleinen Bürste und ggf. Waffenöl entfernen Sie Rückstände an Griffstück, Lauf, Verschluss, Auszieher, Stoßboden und anderen verschmutzten Stellen. Nach dem Reinigen ölen Sie außenliegende Metalloberflächen dünn ein.

Falls die Pistole in kalter Umgebung benutzt oder gelagert werden soll, verwenden Sie ein für den Einsatz bei niedrigen Temperaturen empfohlenes Waffenöl.

! WARNUNG

Halten Sie sich an die Bedienungsanleitung der verwendeten Reinigungsmittel. Manche Reinigungsmittel können Ihrer

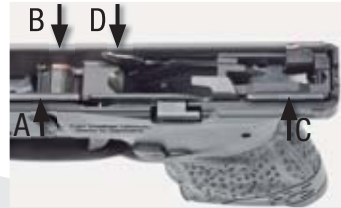
Pistole schaden. Vermeiden Sie lange Einwirkzeiten, zu langes Reinigen im Ultraschallbad und Ultraschallbad-Temperaturen über 50° C. Verwenden Sie ausschließlich für die Waffenpflege empfohlene, harz- und säurefreie Reinigungsmittel und Waffenöle. Ammoniakhaltige Lösungsmittel und alkalische Lösungsmittel dürfen nicht verwendet werden.

4.4 Ölen

Nach dem Reinigen der PPS sollte ein dünner Ölfilm auf die Außenflächen der Metallteile und die Funktionsteile aufgetragen werden. Verwenden Sie ausschließlich harz- und säurefreies Waffenöl.

Achten Sie darauf, nicht zu kräftig zu ölen. Zu viel Öl wurde aufgetragen, wenn Öltropfen zu sehen sind oder Öl aus der Pistole rinnt. Durch zu viel Öl sammelt sich Schmutz und Schmach in der Pistole an. Dies beeinträchtigt die Funktion der Pistole. Ölen Sie nicht die Schlagbolzenbohrung.

- **Lauf:** Nach dem Reinigen der Pistole ölen Sie die Lauboberflächen und die Kontaktfläche zwischen Lauf und Griffstück mit einem öligem Tuch.
- **Griffstück:** Ölen Sie die Verschlussführungen (A, B und C) und die Abzugstange (D) mit jeweils einem Tropfen Öl (4.4 Abb. 1).
- **Verschluss:** Ölen Sie die Schlagbolzensicherung (E) und den Rastbolzen (F) mit jeweils einem Tropfen Öl (4.4 Abb. 2).
- **Magazin:** Tragen Sie an der Außenseite des Magazinehäuses einen dünnen Ölfilm auf.



4.4 Abbildung 1



4.4 Abbildung 2

4.5 Vorbereitung zur Lagerung

Bitte beachten Sie die waffenrechtlichen Bestimmungen hinsichtlich der Aufbewahrung von Schusswaffen und Munition Ihres Landes.

Bewahren Sie die Pistole nicht in einem Material auf, welches Feuchtigkeit anzieht oder hält (z.B. Leder oder dicke Lappen). Falls die Pistole über einen längeren Zeitraum eingelagert werden soll, schützen Sie Lauf, Patronenlager und die innenliegenden Teile mit Waffenöl oder einem für Waffen vorgesehenen Konservierungsmittel. Außenliegende Teile wie Verschluss, Lauf und Magazin sollten mit Korrosionsschutz behandelt werden.

Reinigen Sie die PPS, bevor Sie die Pistole das nächste Mal verwenden. Achten Sie bei jedem Reinigen auch darauf, ob Sie Abnutzungen erkennen. Bei ungewöhnlichen Abnutzungserscheinungen lassen Sie die Pistole von einem qualifizierten Büchsenmacher oder durch WALTHER überprüfen.

PISTOLE PPS M2

ANPASSUNG DER PISTOLE AN DEN BEDIENER

5. ANPASSUNG DER PISTOLE AN DEN BEDIENER

5.1 Visierung

Visier und Korn sind austauschbar. Die Treffpunktlage lässt sich in Seite und Höhe korrigieren.

⚠ ACHTUNG

Stellen Sie vor den Arbeiten sicher, dass Pistole und Magazin entladen sind.

SEITENVERSTELLUNG

Um die Treffpunktlage zu korrigieren, verschieben Sie das Visier in die Richtung, in welche die Treffer verlagert werden sollen.

Beispiel: Wenn die Treffpunktlage nach rechts verschoben werden soll, verschieben Sie das Visier nach rechts.



5.1 Abbildung 1

⚠ ACHTUNG

Das Original-WALTHER-Stahlvisier (5.1 Abb. 1) sitzt sehr fest auf dem Verschluss. Für das Justieren dieses Visiers wird der als Sonderzubehör erhältliche Visiertreiber empfohlen. Entfernen Sie nicht die Spannhülse unter dem Visier.

HÖHENVERSTELLUNG

Zur Korrektur der Höhe der Treffpunktlage lässt sich das Korn tauschen. Stahl-Korne in unterschiedlichen Höhen sind als Sonderzubehör erhältlich. Bei Tiefschuss wird ein niedrigeres, bei Hochschuss ein höheres Korn benötigt. Die Korne sind nummeriert. Je höher die Nummer, umso höher ist das Korn. Bei einer Anschussentfernung von 25 m ergibt sich pro Abstufung eine Treffpunktverlagerung von ca. 5 cm.



5.1 Abbildung 2

Zum Auswechseln des Korns wird der Verschluss vom Griffstück abgenommen. Anschließend nehmen Sie die Schließfedereinheit und den Lauf aus dem Verschluss. Mit einem Schraubendreher wird die Kornschraube entfernt (5.1 Abb. 2) und anschließend das Korn abgenommen.

Die Montage erfolgt in umgekehrter Reihenfolge:

Entölen Sie die Kornschraube und das Gewinde im Korn. Sichern Sie die Kornschraube mit einem Industriekleber (z.B. Loctite 648). Ziehen Sie die Kornschraube leicht an (mit einem Drehmoment von 1 Nm).

5.2 Griff

Für die PPS sind Magazine in drei unterschiedlichen Längenausführungen erhältlich (5.2 Abb. 1). Durch Wahl des entsprechenden Magazins kann die Länge des Pistolengriffs an die Handgröße des Schützen angepasst werden.



5.2 Abbildung 1

| |
|-----------|
| EN |
| DE |
| FR |
| ES |
| IT |
| TU |



PISTOLE PPS M2

TECHNISCHE DATEN

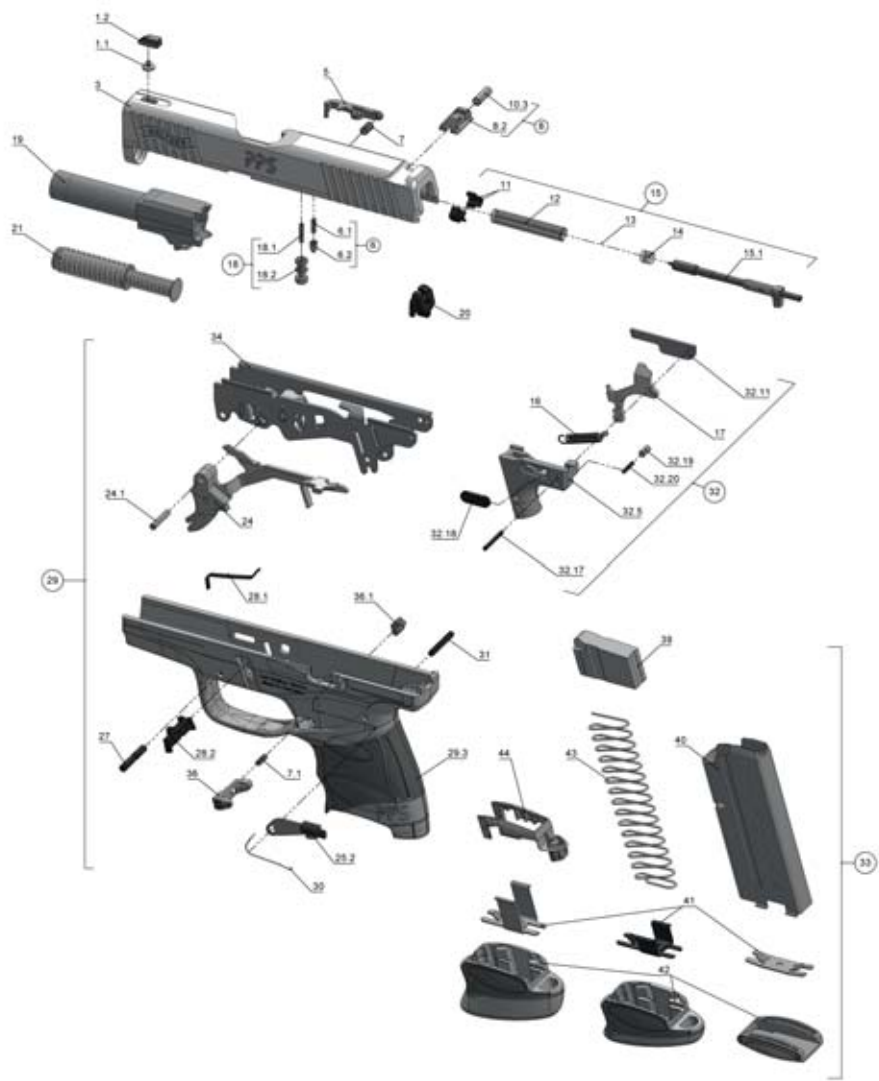
6 TECHNISCHE DATEN

| Kaliber | 9 mm x 19 / 9 mm x 21 | .40 S&W |
|---|---------------------------------------|-------------------------|
| Magazinkapazität | 6 (7 / 8) Patronen | 5 (6 / 7) Patronen |
| Höhe [mm] | 110 (127 / 134) | 110 (127 / 134) |
| Länge | 161 mm | 161 mm |
| Breite [mm] | 27 (23 Verschlussstück) | 27 (23 Verschlussstück) |
| Lauflänge | 81 mm | 81 mm |
| Dralllänge | 250 mm Rechtsdrall | 406 mm Rechtsdrall |
| Länge Visierlinie | 136 mm | 136 mm |
| Gewicht, inkl. leerem Magazin [g] | 600 (610 / 620) | 590 (600 / 610) |
| Gewicht Magazin, leer [g] | 55 (65 / 75) | 55 (65 / 75) |
| Geschossenergie E ₃ , Geschossgewicht | 395 J 8 g | 470 J 11,5 g |
| Verriegelungsart | Browningssystem ohne Zwischenglied | |
| Schlossart | Schlagbolzenschloss, teilgespannt | |
| Abzugsystem | Quick Defense Trigger | |
| Abzugkraft / Abzugweg | 27 N / 7 mm (bei jedem Schuss gleich) | |

Die Angaben sind Mittelwerte. Tatsächliche Werte können abweichen.
Angaben in Klammern gelten für das Magazin Medium bzw. Large

EXPLOSIONSDARSTELLUNG

7. EXPLOSIONSDARSTELLUNG



EN
DE
FR
ES
IT
TU

PISTOLE PPS M2

TEILELISTE

8. TEILELISTE

| Nr. | Benennung | Nr. | Benennung |
|------|--|-------|---------------------------------|
| 1.1 | Kornschaube | 19 | Lauf 9mm x 19 ET |
| 1.2 | Korn | 19 | Lauf 9mm x 21 ET |
| 3 | Verschlussstück 9mmx19 ET | 19 | Lauf .40 S&W ET |
| 3 | Verschlussstück .40 S&W ET | 20 | Verschlusskappe |
| 5 | Auszieher | 21 | Schließfedereinheit |
| 6 | Auszieherachse komplett | 24 | Abzug komplett |
| 6.1 | Auszieherachse | 24.1 | Zügelachse |
| 6.2 | Feder zur Auszieherachse | 25.2 | Fanghebel |
| 7 | Feder zum Auszieher 9mm x 19 | 27 | Stift zum Laufhalter |
| 7 | Feder zum Auszieher .40 S&W | 28.1 | Laufhalterfeder |
| 7.1 | Feder zum Magazinhalter | 28.2 | Laufhalter |
| 8 | Visier kpl. | 29 | Griffstück komplett 9mm x 19 ET |
| 8.2 | Visier | 29 | Griffstück komplett 9mm x 21 ET |
| 10.3 | Stift Visier | 29 | Griffstück komplett .40 S&W ET |
| 11 | Federstütze | 29.3 | Griffstück |
| 12 | Schlagfeder | 30 | Fanghebelfeder |
| 13 | Stützhülse | 31 | Spiralspannstift 3 x 21 |
| 14 | Rückspringfeder | 32 | Abzuggehäuse komplett |
| 15 | Schlagbolzen komplett | 32.5 | Abzuggehäuse |
| 15.1 | Schlagbolzen | 32.11 | Gegenlager |
| 16 | Abzugfeder | 32.17 | Stift zur Abzugfeder |
| 17 | Steuerstück | 32.18 | Anschlagblech |
| 18 | Schlagbolzensicherung komplett 2014 | 32.19 | Bolzen zum Steuerstück |
| 18.1 | Feder zur Schlagbolzensicherung | 32.20 | Feder zum Steuerstück 9mm x 19 |
| 18.2 | Schlagbolzensicherung | 32.20 | Feder zum Steuerstück .40 S&W |
| | | 33 | Magazin S 9mm x 19 |

TEILELISTE

| Nr. | Benennung | Nr. | Benennung | EN |
|------|-------------------------|-----|---|----|
| 33 | Magazin S .40 S&W | 41 | Bodenhalter S | DE |
| 33 | Magazin M 9mm x 19 | 41 | Bodenhalter M | FR |
| 33 | Magazin M .40 S&W | 41 | Bodenhalter L | ES |
| 33 | Magazin L 9mm x 19 | 42 | Magazinboden S | IT |
| 33 | Magazin L .40 S&W | 42 | Magazinboden M | TU |
| 34 | Führungskomponente | 42 | Magazinboden L | |
| 36 | Magazinhalter | 43 | Magazinfeder 9mm x 19 | |
| 36.1 | Kappe | 43 | Magazinfeder .40 S&W für Magazinboden S und M | |
| 39 | Zubringer 9mm x 19 | 43 | Magazinfeder .40 S&W für Magazinboden L | |
| 39 | Zubringer .40 S&W | 44 | Dust Cover | |
| 40 | Magazingehäuse 9mm x 19 | | | |
| 40 | Magazingehäuse .40 S&W | | | |

Hinweis:

Gleiche Teile für 9mm x 19 und 9mm x 21, wenn nicht anders vermerkt.

Die Teile Führungskomponente (34) und Griffstück (29.3) sind nicht als Einzelteile erhältlich.

Sie sind ausschließlich als Baugruppe Griffstück, ET (29) erhältlich.

ANALTHE

WALTHER®

MODE D'EMPLOI

PISTOLET PPS M2

EN

DE

FR

ES

IT

TU



VEUILLEZ LIRE ATTENTIVEMENT LES CONSIGNES ET
AVERTISSEMENTS FIGURANT DANS LE PRÉSENT MODE
D'EMPLOI AVANT D'UTILISER CETTE ARME À FEU.

PISTOL PPS M2



REMARQUE:

Ce mode d'emploi se réfère à l'utilisation du pistolet par des civils. Les prescriptions relatives à l'utilisation en service / professionnelle du pistolet peuvent être différentes des indications figurant dans le présent mode d'emploi.

Dans ce mode d'emploi, la position considérée du pistolet est celle correspondant à la position de tir normale, c'est-à-dire le canon à l'horizontale, la bouche orientée vers l'avant, et la poignée dirigée vers le bas. Les indications telles que «en haut», «en bas», «à droite», «à gauche» ainsi que «à l'arrière» et «à l'avant» se réfèrent au point de vue du tireur tenant l'arme dans une position normale de tir.

Les explications données se basent sur l'utilisation par des droitiers. Les gauchers sont priés d'adapter de manière adéquate leur utilisation avec la main gauche.

Attention : les figures présentées dans ce mode d'emploi sont destinées à expliquer les propos et peuvent différer des armes réelles.

SOMMAIRE

| | | |
|----------|---|-----------|
| 1 | Consignes de sécurité | 4 |
| 2 | Description du produit | 5 |
| 2.1 | Mode opératoire | 5 |
| 2.2 | Munition | 6 |
| 2.3 | Éléments fonctionnels | 7 |
| 3 | Utilisation | 10 |
| 3.1 | Contrôle du pistolet | 10 |
| 3.2 | Chargement | 11 |
| 3.3 | Tir | 12 |
| 3.4 | Changement de chargeur | 13 |
| 3.5 | Déchargement | 13 |
| 3.6 | Consignes en cas de dysfonctionnement | 14 |
| 4 | Démontage, nettoyage, lubrification et entretien | 14 |
| 4.1 | Éléments principaux | 14 |
| 4.2 | Chargeur | 16 |
| 4.3 | Nettoyage | 18 |
| 4.4 | Lubrification | 19 |
| 4.5 | Préparation au rangement / stockage | 19 |
| 5 | Adaptation du pistolet à l'utilisateur | 20 |
| 5.1 | Dispositif de visée | 20 |
| 5.2 | Poignée | 21 |
| 6 | Caractéristiques techniques | 22 |
| 7 | Représentation éclatée | 23 |
| 8 | Liste des pièces | 24 |

PISTOL PPS M2

CONSIGNES DE SÉCURITÉ

1. CONSIGNES DE SÉCURITÉ

- Lisez attentivement et entièrement le présent mode d'emploi avant d'utiliser le pistolet. Assurez-vous d'avoir parfaitement compris le mode d'emploi avant d'utiliser le pistolet. Chacune des descriptions relatives aux parties du pistolet et chaque procédé ne sont généralement présentés qu'une seule fois dans le présent mode d'emploi. Pour cette raison, certaines parties contiennent le cas échéant des renvois vers des explications déjà disponibles dans d'autres chapitres.
- Il est impératif de vérifier que le pistolet est déchargé (chargeur retiré du pistolet et boîte de culasse vide), que le canon est exempt de tout corps étranger et le chargeur vide avant de réaliser le contrôle de sécurité, avant toute utilisation, en cas de dysfonctionnement et avant le nettoyage.
- Rangez le pistolet et les munitions séparément. Les personnes non autorisées (en particulier les enfants) ne doivent pas y avoir accès.
- Maniez le pistolet non chargé comme s'il était chargé. Tenez toujours le pistolet de sorte à ne mettre en danger ni vous-même ni d'autres personnes. Pointez toujours le pistolet dans une direction sûre ! Ne pointez jamais le pistolet en direction de personnes ou de cibles sur lesquelles vous ne voulez pas tirer, que le pistolet soit chargé ou non. N'oubliez jamais que même l'arme la plus sûre peut devenir dangereuse pour vous et d'autres personnes, si elle n'est pas maniée correctement.
- Attention : ne laissez pas le doigt sur la détente, sauf pour tirer volontairement. Le doigt actionnant la détente doit toujours se trouver à l'extérieur du pontet. La détente ne doit être actionnée qu'une fois que le pistolet est pointé vers la cible.
- Ne faites jamais usage de la force lors que vous utilisez, contrôlez, démontez, nettoyez ou remontez le pistolet. Un maniement incorrect peut nuire au fonctionnement et à la sécurité du pistolet. Ne démontez pas davantage le pistolet que ce qui est indiqué dans le présent mode d'emploi.
- La sécurité n'est garantie que tant que le pistolet et les munitions se trouvent en parfait état technique.
- Si le pistolet a subi des influences extérieures, telles que corrosion, chute, etc., il doit être impérativement examiné par un armurier qualifié.
- Lors des séances de tir, veillez à porter une protection auditive et des lunettes de tir. Si vous êtes aux personnes se trouvant à proximité qu'elles doivent porter un système de protection auditive et des lunettes de tir.
- Votre arme est conçue pour fonctionner avec des munitions d'un calibre déterminé. La bonne désignation des munitions adaptées à votre pistolet est indiquée sur l'arme. N'utilisez que des munitions conformes aux prescriptions de la Commission Internationale Permanente pour l'Epreuve des Armes à Feu portatives (C.I.P.) ou du SAA MI (Sporting Arms and Ammunition Manufacturers' Institute) et au calibre de votre arme à feu. Veillez impérativement, en particulier lors de l'utilisation de munitions rechargées, à ce que la pression de gaz ne soit pas supérieure à celle autorisée par la norme.

DESCRIPTION DU PRODUIT

Une pression trop importante peut endommager l'arme, voire provoquer son explosion. Les munitions dont la vitesse de projection et la pression de gaz sont supérieures à la vitesse de projection et pression de gaz pour lesquelles l'arme est conçue, soumettent l'arme à une charge supplémentaire, entraînent une usure plus importante et peuvent gravement endommager l'arme.

DESCRIPTION DU PRODUIT

Essuyez tout excédent de graisse ou d'huile avant le chargement et assurez-vous que le canon est propre et exempt de tout corps étranger.

Ne remplacez, traitez, modifiez ou déréglez aucune pièce de votre pistolet au-delà des indications portées dans le présent mode d'emploi. Les travaux d'entretien et de service doivent être réalisés par un personnel qualifié.

Toute modification non appropriée peut avoir des conséquences sur la sécurité et la fiabilité du pistolet et entraîner des blessures voire la mort.

EXCLUSION DE RESPONSABILITÉ

La plus grande prudence est de rigueur lors de l'utilisation d'armes. Celles-ci peuvent entraîner, même involontairement, d'importants dommages et provoquer de graves blessures voire la mort. WALTHER exclut expressément toute responsabilité pour des dommages et incidents liés à l'utilisation impropre de ce pistolet ou allant à l'encontre des règlements et lois. Cela s'applique également pour les dommages dus au non-respect du présent mode d'emploi, à un échange de pièces non autorisé ou à toute intervention sur le pistolet non expressément prévue dans le présent mode d'emploi.

2 DESCRIPTION DU PRODUIT

2.1 Mode opératoire

Le système de culasse du PPS utilise le principe de la culasse fonctionnant par recul verrouillée. Le recul de la détente déclenche le percuteur interne. Le percuteur frappe l'amorce de la balle et met la charge à feu. Le projectile est expulsé du canon par la pression de gaz générée. Une impulsion est transmise simultanément au groupe de la culasse verrouillé mécaniquement. Après un léger recul simultané du canon et de la culasse, le canon est dirigé vers le bas et le verrou s'enclenche. Tandis que le canon s'arrête, la culasse recule jusqu'en butée en faisant pression sur le ressort de recul et éjecte ainsi la douille vers la droite. Actionnée par le ressort de recul, la culasse entraîne la balle se trouvant tout en haut du chargeur dans la boîte de culasse lors du mouvement avant qui suit. Peu avant la fin du mouvement avant de la culasse, le canon incliné est poussé vers le haut et l'avant et verrouillé dans la fenêtre d'expulsion de la culasse. Le tireur enlève le doigt de la détente et le pistolet est prêt pour le prochain tir.

EN

DE

FR

ES

IT

TU

PISTOL PPS M2

DESCRIPTION DU PRODUIT

2.2. Munition

AVERTISSEMENT

utilisez seulement les munitions prévues pour ce pistolet. De mauvaises munitions peuvent entraîner des dysfonctionnements, empêcher la mise à feu ou, en raison d'une pression trop importante de gaz, endommager voire détruire votre pistolet.

La désignation des munitions adaptées à votre pistolet PPS apparaît sur le côté droit du canon (voir 2.3 illustration 1).

Utilisez exclusivement des munitions correspondant à cette désignation et dont la pression de gaz est conforme aux prescriptions de la C.I.P. ou du SAAMI ou autorisée pour l'utilisation avec des armes de la police conformément à la « directive technique pour les balles 9 mm x 19 à substances nocives réduites ».

Vérifiez les munitions avant de les utiliser. Utilisez seulement des munitions dont l'état est irréprochable. Le pistolet et les munitions forment un ensemble et doivent être adaptés l'un à l'autre. Leur fiabilité dépend mutuellement de chacun des éléments. La vitesse de projection, le poids des projectiles et le poids de l'arme forment différentes combinaisons agissant sur le recul ressenti lors du tir. Un recul trop important du pistolet peut sembler désagréable à certains tireurs.

Exemples :

- **Poids de l'arme:** un poids plus faible de l'arme entraîne un recul ressenti comme « plus fort ».
- **Poids du projectile:** plus le projectile est lourd, plus le recul est important.
- **Vitesse du projectile:** une plus grande vitesse de projection amplifie le recul.



2.2 Illustration 1

Vous pouvez procéder de la manière suivante pour vous habituer à un recul plus important:

- Lors du tir, tenez le pistolet bien calé dans les deux mains.
Commencez par tirer, parmi les munitions adaptées à votre pistolet, avec celles caractérisées par une vitesse de projection et un poids moins importants.
- Demandez conseil à votre revendeur spécialisé pour le choix de munitions plus faibles, d'une vitesse de projection moins élevée et d'un poids moins important, adaptées à votre pistolet.
- Adaptez la taille de la poignée de votre pistolet à vos besoins.

DESCRIPTION DU PRODUIT

2.3 Éléments fonctionnels



- 1 Tige du ressort de recul
- 2 Bouche
- 3 Désignation du modèle
- 4 Plaque de culasse
- 5 Extracteur
- 6 Fenêtre d'expulsion
- 7 Canon
- 8 Numéro de série



EN
 DE
FR
 ES
 IT
 TU

PISTOL PPS M2

DESCRIPTION DU PRODUIT

2.4.1 Indicateur de charge

Les pistolets PPS disposent d'un système de visualisation sous forme d'un évidement sur la partie supérieure, à l'arrière de la fenêtre d'extraction (2.4.1 illustr. 1).

Regardez dans l'évidement pour voir si une balle se trouve dans la boîte de culasse. Si une balle est chargée, le fond de celle-ci, généralement de couleur argent ou laiton, est visible.



2.4.1 Illustration 1

ATTENTION

Maniez toute arme comme si elle était chargée et comme si un tir pouvait être déclenché en appuyant sur la détente.

Ne vous fiez pas exclusivement au système de visualisation de l'état de charge lors du contrôle de sécurité. La méthode de contrôle la plus fiable reste de regarder dans la boîte de culasse. Pour ce faire, retirez le chargeur du pistolet, tirez la culasse vers l'arrière jusqu'à la butée, bloquez-la avec le levier d'arrêt de culasse et regardez dans le boîtier de culasse.

ATTENTION

Si le système de visualisation de l'état de charge vous donne une indication sur la présence ou non d'une balle dans la boîte de culasse, certains facteurs, tels que la lumière, l'encrassement du pistolet, la décoloration des munitions et d'autres influences, peuvent rendre une balle plus difficile à voir. Retirez le chargeur du pistolet, tirez la culasse vers l'arrière jusqu'à la butée, bloquez-la avec le levier d'arrêt de culasse. Regardez dans la boîte de culasse.

La boîte de culasse doit être vide.

2.4.2 Arrêtoir de chargeur

L'arrêtoir de chargeur se trouve latéralement sur le côté de la poignée.

Utilisation:

Les doigts doivent être en dehors du pontet et ne pas toucher la détente. Appuyez sur l'arrêtoir de chargeur et retirez le chargeur (2.4.2. illustr. 1).



2.4.2 Illustration 1

DESCRIPTION DU PRODUIT

2.4.3 Levier d'arrêt

Bloquer la culasse en position ouverte:

Les doigts doivent être en dehors du pontet et ne pas toucher la détente. Retirez le chargeur puis saisissez la culasse par l'arrière au niveau des cannelures et tirez-la énergiquement vers l'arrière jusqu'à la butée. Si une balle se trouve dans le boîtier de culasse, celle-ci est alors dégagée et éjectée de la boîte de culasse.

Tout en maintenant la culasse le plus en arrière possible, poussez le levier d'arrêt vers le haut et faites glisser lentement la culasse vers l'avant jusqu'à ce qu'elle soit tenue par le levier d'arrêt (2.4.3. illustr. 1).



2.4.3 Illustration 1

EN

DE

FR

ES

IT

TU

Libérer le levier d'arrêt:

À l'aide du pouce de la main qui tire, poussez le levier d'arrêt vers le bas jusqu'à ce que la culasse glisse vers l'avant. Pour faciliter l'actionnement du levier d'arrêt avec le pouce, la culasse peut être tirée vers l'arrière pendant que le levier d'arrêt est actionné comme décrit ci-dessus.

2.4.4 Chargeur

Le chargeur est disponible en trois tailles différentes. Selon le choix du chargeur souhaité, la longueur de la poignée peut être adaptée aux besoins du tireur. Il est possible de choisir entre un fond plat, une rallonge moyenne ou une grande rallonge:

| Calibre | 9 mm x 19 9 mm x 21 | .40 S&W |
|---------------------------------|------------------------|---------|
| Fond de chargeur plat (Small) | 6 | 5 |
| Fond de chargeur moyen (Medium) | 7 | 6 |
| Grand fond de chargeur (Large) | 8 | 7 |

La capacité du chargeur dépend de la taille du fond du chargeur.

Les boîtiers de chargeur et les orifices dont ils sont pourvus pour la visualisation de l'état de charge sont identiques pour tous les chargeurs. Il est possible de voir l'état de charge du chargeur à l'aide des orifices présents dans le boîtier du chargeur (2.4.4. illustr. 1).



2.4.4 Illustration 1

PISTOL PPS M2

UTILISATION

3 UTILISATION

3.1 Contrôle du pistolet

- Avant de procéder au contrôle de votre PPS, vérifiez qu'il est bien déchargé : Pointez le pistolet dans une direction sûre. Les doigts doivent être en dehors du pontet et ne pas toucher la détente. Actionnez l'arrêteur de chargeur et retirez le chargeur (3.1 illustr. 1).
- Saisissez la culasse par l'arrière au niveau des cannelures (3.1. illustr. 2) et tirez-la énergiquement vers l'arrière jusqu'à la butée. Si une balle se trouve dans le boîtier de culasse, celle-ci est alors dégagée et éjectée de la boîte de culasse. Ne couvrez pas la fenêtre d'extraction, car la balle ne pourrait être expulsée comme il se doit.
- Bloquez la culasse en position ouverte. Tout en maintenant la culasse le plus en arrière possible, poussez le levier d'arrêt vers le haut et faites glisser lentement la culasse vers l'avant jusqu'à ce qu'elle soit tenue par le levier d'arrêt (3.1. illustr. 3).
- Assurez-vous que la boîte de culasse
- (3.1. illustr. 4) et le canon sont bien dégagés, secs et propres.
-
- Effectuez toujours ce contrôle avant de poser votre PPS, de le nettoyer, de le transmettre à une autre personne, de le transporter ou de le ranger.



3.1 Illustration 1



3.1 Illustration 2



3.1 Illustration 3



3.1 Illustration 4

ATTENTION

Ne vous fiez pas exclusivement à la technique. Pour votre propre sécurité, maniez toute arme avec prudence.

Il est de votre responsabilité de respecter toutes les règles de sécurité lorsque vous utilisez des armes.

UTILISATION

3.2 Chargement

3.2.1 Remplissage du chargeur

Il est possible de voir l'état de charge du chargeur à l'aide des orifices présents dans le boîtier du chargeur.



3.2.1 Illustration 1



Remarque:

N'utilisez que les chargeurs d'origine prévus pour votre arme. L'utilisation d'autres chargeurs peut provoquer des dysfonctionnements ou endommager le pistolet ou le chargeur.

ATTENTION

N'essayez pas d'insérer plus de balles que ce qui est prévu pour le chargeur. Cela pourrait provoquer des dysfonctionnements dans l'alimentation. Ne faites pas usage de la force, car cela pourrait endommager le chargeur. Des chargeurs/lèvres de chargeur endommagé(e)s ou déformé(e)s provoquent des dysfonctionnements et donc la défaillance du pistolet.

Pour insérer les balles dans le chargeur, poussez vers le bas la partie avant du dispositif d'alimentation avec le fond de la balle et poussez la balle sous les lèvres du chargeur jusqu'à ce que le fond de la balle touche la paroi arrière du chargeur. Répétez cette procédure en poussant la balle la plus haute dans le chargeur vers le bas avec le fond de la prochaine balle et le pouce de la seconde main et en poussant ensuite la balle suivante sous les lèvres du chargeur (3.2.1. illustr. 2).



3.2.1 Illustration 2

3.2.2 Chargement du pistolet

- Contrôlez le pistolet comme indiqué dans le chapitre 3.1.
- Pointez le pistolet dans une direction sûre. Le doigt doit se trouver en dehors du pontet et en particulier ne pas toucher la détente. Insérez le chargeur dans son logement jusqu'à ce qu'il s'enclenche. Assurez-vous que le chargeur est bien enclenché en tirant le chargeur vers le bas par le fond. Le chargeur ne doit pas se détacher.
- Tirez la culasse vers l'arrière et laissez-la repartir vers l'avant.

PISTOL PPS M2

UTILISATION

ATTENTION

N'insérez les balles dans la boîte de culasse que par l'intermédiaire du chargeur. N'essayez pas d'insérer individuellement des balles dans la boîte de culasse par la fenêtre d'extraction. Ce faisant, vous pourriez vous blesser gravement voire mortellement ou encore entraîner la mort d'autres personnes.

AVERTISSEMENT

Le pistolet est désormais prêt à tirer. Votre pistolet et le chargeur sont chargés et un tir sera déclenché lors de l'actionnement de la détente. Dirigez toujours la bouche du pistolet dans une direction sûre et maintenez votre doigt et tout objet éloigné de la détente et en dehors du pontet. Ne déposez jamais une arme chargée.

3.3 Tir

- Dirigez le pistolet dans une direction sûre et maintenez votre doigt éloigné de la détente et en dehors du pontet jusqu'à ce que vous souhaitiez tirer.
- Profitez de la forme avantageuse de la poignée du PPS et saisissez-la le plus haut possible. Cela permet un meilleur maintien de l'arme lors du tir.
- Tout en tenant fermement la poignée du pistolet dans la main, appuyez, à l'aide de votre doigt, frontalement et avec une force croissante, sur la détente jusqu'à ce que le coup parte.
- Pendant le tir, la culasse recule et expulse la douille. Enfin, la culasse revient vers l'avant et introduit la balle suivante du chargeur dans la boîte de culasse.
- Après le tir, éloignez votre doigt de la détente et maintenez-le en dehors du pontet jusqu'à ce que vous soyez prêt pour le prochain tir.
- Vous pouvez répéter cette procédure jusqu'au dernier tir.
- Après le dernier tir, le dispositif d'alimentation du chargeur actionne le levier d'arrêt et la culasse est arrêtée en position ouverte.

ATTENTION

Lors des séances de tir, veillez à porter une protection auditive et des lunettes de tir. Lors du tir ou de l'actionnement du levier d'arrêt de culasse, la culasse se déplace à grande vitesse et avec une force considérable dans le sens longitudinal. Pour cette raison, veillez à tenir le pistolet de telle manière qu'aucune partie de votre corps ne se trouve sur la trajectoire de la culasse.

3.4. Changement de chargeur

Après le dernier tir, le dispositif d'alimentation du chargeur actionne le levier d'arrêt et la culasse est arrêtée en position ouverte.

- Actionnez l'arrêteur de chargeur et retirez le chargeur.
- Placez un nouveau chargeur.
- Tirez la culasse vers l'arrière et laissez-la repartir vers l'avant.

AVERTISSEMENT

Le pistolet est à nouveau prêt à tirer. Dirigez toujours la bouche du pistolet dans une direction sûre et maintenez votre doigt et tout objet éloigné de la détente et en dehors du pontet, jusqu'à ce que vous soyez prêt à tirer à nouveau.

3.5 Déchargement

- Pointez le pistolet dans une direction sûre. Les doigts doivent être en dehors du pontet et ne pas toucher la détente. Actionnez l'arrêteur de chargeur et retirez le chargeur (3.5 illustr. 1).
- Saisissez la culasse par l'arrière au niveau des cannelures (3.5. illustr. 2) et tirez-la énergiquement vers l'arrière jusqu'à la butée. Si une balle se trouve dans la boîte de culasse, celle-ci est alors dégagée et éjectée.
- Ce faisant, ne couvrez pas la fenêtre d'extraction, car la balle ne pourrait être expulsée comme il se doit.
- Bloquez la culasse en position ouverte : Tout en maintenant la culasse le plus en arrière possible, poussez le levier d'arrêt vers le haut et faites glisser lentement la culasse vers l'avant jusqu'à ce qu'elle soit tenue par le levier d'arrêt (3.5. illustr. 3).
- Regardez dans la boîte de culasse. La boîte de culasse doit être vide. Regardez dans le logement du chargeur. Plus aucune munition ne doit se trouver dans le pistolet.
- Pour décharger le chargeur, tenez-le de telle manière que les projectiles soient dirigés dans la direction opposée à vous. Poussez les balles les unes après les autres vers l'avant pour les faire sortir du chargeur.



3.5 Illustration 1



3.5 Illustration 2



3.5 Illustration 3

EN

DE

FR

ES

IT

TU

PISTOL PPS M2

UTILISATION

⚠ AVERTISSEMENT à chaque fois que vous fermez la culasse alors qu'un chargeur chargé se trouve dans le pistolet, une balle est introduite dans la boîte de culasse et le pistolet est à nouveau prêt à tirer.

3.6 Consignes en cas de dysfonctionnement

- En cas de dysfonctionnement, attendez 10 secondes tout en maintenant la bouche du pistolet dans une direction sûre.
- Déchargez le pistolet comme indiqué au chapitre 3.5. « Déchargement ».
- À présent, vous pouvez effectuer un contrôle visuel de la boîte de culasse et du canon. La boîte de culasse et le canon doivent être vides.

4 DÉMONTAGE, NETTOYAGE, LUBRIFICATION ET ENTRETIEN

Avant toute intervention, assurez-vous que le pistolet et le chargeur sont déchargés

4.1 Éléments principaux

⚠ AVERTISSEMENT Pour démonter le pistolet, il est nécessaire d'actionner la détente. Si vous n'avez pas déchargé correctement votre arme et si vous avez laissé une balle réelle dans la boîte de culasse, le pistolet déclenchera un tir et pourrait provoquer des blessures graves à l'utilisateur ou aux personnes présentes, ou encore entraîner des dommages. Par conséquent, vous devez bien contrôler la boîte de culasse et le logement du chargeur avant d'appuyer sur la détente. Tous deux doivent être vides.

4.1.1 Démontage

- Déchargez le pistolet: retirez le chargeur et bloquez la culasse en position ouverte. La boîte de culasse et le logement du chargeur doivent être vides.
- Fermez la culasse: Tirez la culasse vers l'arrière et ramenez-la vers l'avant.
- Pointez le pistolet dans une direction sûre et désarmez le mécanisme de percussion en actionnant la détente.
- Saisissez par le haut l'arrêtoir de canon des deux côtés et poussez-le vers le bas. (4.1.1 illustr. 1)



4.1.1 Illustration 1

- Poussez la culasse vers l'avant de la carcasse.
- Retirez le bloc ressort de recul dans le sens inverse à la pression du ressort de recul. (4.1.1 illustr. 2)
- Retirez le canon de la culasse.
- 4.1.1.1. L'illustr. 3 montre les éléments principaux du pistolet démonté.



4.1.1 Illustration 2



4.1.1 Illustration 3

4.1.2 Montage

- Tenez la culasse face inférieure vers le haut. Insérez le canon comme indiqué sur l'illustr. 1.
- Insérez le bloc ressort de recul : Placez le bloc ressort de recul dans le logement de la culasse avec la petite extrémité noire de la tige de guidage du ressort en direction de la bouche puis, contre la pression du ressort de recul, dans le renforcement sur le canon avec l'extrémité arrière (4.1.2. illustr. 1 et 2).
- Insérez les guides de la culasse montée par l'avant sur les rails de la carcasse (4.1.2. illustr. 3). Tirez la culasse vers l'arrière jusqu'à la butée puis laissez-la glisser vers l'avant dans la position verrouillée.



4.1.2 Illustration 1



4.1.2 Illustration 2



4.1.2 Illustration 3



Remarque: il est normal que le bloc ressort de recul se courbe légèrement à l'état partiellement monté.

PISTOL PPS M2

DÉMONTAGE, NETTOYAGE, GRAISSAGE ET ENTRETIEN

4.2 Chargeur

4.2.1 Démontage

Le ressort du chargeur est comprimé. Des pièces peuvent être éjectées lors du démontage du chargeur. Soyez donc prudent lors du démontage du chargeur. Tenez le support du fond lorsque vous enlevez le fond du chargeur puis retirez avec prudence le support de fond et le ressort du chargeur du boîtier.

1. Pour les chargeurs avec appui-doigt sur le fond du chargeur : soulevez le cache, par exemple en insérant un petit tournevis devant à gauche, puis sortez-le du fond en allant légèrement vers la droite puis vers l'arrière (4.2.1. illustr. 1 et 2), retirez ensuite le cas en l'extrayant du fond du chargeur par le haut (4.2.1 illustr. 3).
2. Appuyez sur le support de fond, par exemple avec un chasse-goupille de 4 mm, à travers l'orifice prévu dans le fond du chargeur. Pour les chargeurs avec appui-doigt sur le fond du chargeur : orientez durant cette phase les prolongements latéraux du support de fond parallèlement à la paroi arrière du boîtier de chargeur (4.2.1 illustr. 4).
3. Poussez le fond vers l'avant et retirez-le du boîtier de chargeur tout en maintenant le support de fond contre la pression du ressort de chargeur.
4. Retirez le support de fond et le ressort de chargeur.
5. Secouez légèrement l'arme pour faire sortir le dispositif d'alimentation du boîtier de chargeur.



4.2.1 Illustration 1



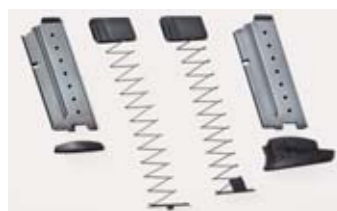
4.2.1 Illustration 2



4.2.1 Illustration 3



4.2.1 Illustration 4



4.2.1 Illustration 5

4.2.2 Montage

1. Introduisez tout d'abord le dispositif d'alimentation puis le ressort du chargeur avec le support de fond dans le boîtier de chargeur. Ce faisant, prêtez attention à la bonne orientation des pièces. Les pièces doivent être montées sans faire usage de la force.
2. Tout en appuyant le support de fond dans le boîtier de chargeur, poussez, de l'avant, le fond du chargeur jusqu'à ce qu'il s'enclenche de manière audible (4.2.2 illustr. 1).
Pour les chargeurs avec appui-doigt sur le fond du chargeur : Orientez durant cette phase les prolongements latéraux du support de fond parallèlement à la paroi arrière du chargeur (4.2.2. illustr. 2).
3. Pour les chargeurs avec appui-doigt sur le fond du chargeur, tenez le cache tenon vers le bas et insérez-le par l'arrière (4.2.2. illustr. 3, étape 1) sur le boîtier du chargeur. Appuyez prudemment et de manière régulière sur le cache par le haut pour le faire entrer dans le fond du chargeur (4.2.2 illustr. 3, étape 2).



4.2.2 Illustration 1



4.2.2 Illustration 2



4.2.2 Illustration 3

EN

DE

FR

ES

IT

TU

PISTOL PPS M2

DÉMONTAGE, NETTOYAGE, GRAISSAGE ET ENTRETIEN

4.3 Nettoyage

ATTENTION

Avant toute intervention sur le pistolet, assurez-vous que le pistolet et le chargeur sont déchargés.

Nettoyez le pistolet neuf avant le premier tir. Pour protéger votre pistolet de la corrosion, celui-ci a été traité soit avec un produit de conservation, soit avec un lubrifiant. Avant d'utiliser le pistolet, essuyez tout excédent d'huile provenant du canon et de la boîte de culasse ainsi que sur les surfaces extérieures.

Votre pistolet est un instrument de précision. Entretenez-le régulièrement pour garantir son bon fonctionnement.

Le pistolet doit être nettoyé après chaque utilisation ou après avoir été soumis à des conditions climatiques extrêmes.

Démontez le pistolet en ses éléments principaux (voir chap. 4.1.).

Nettoyez le canon à l'aide d'une brosse de nettoyage et d'un écouvillon en commençant par la boîte de culasse. Enlevez du canon le plomb et les résidus à l'aide d'une brosse en laiton. Le canon et la boîte de culasse doivent être propres.

Essuyez les surfaces avec un chiffon et des tiges de nettoyage. Supprimez les résidus se trouvant sur la carcasse, le canon, l'extracteur, le fond du percuteur et sur tous les endroits encrassés à l'aide d'une petite brosse et, le cas échéant, d'un peu d'huile. Après le nettoyage, huilez légèrement les surfaces métalliques extérieures.

Si le pistolet doit être utilisé ou rangé dans un environnement froid, utilisez une huile pour armes recommandée pour les utilisations par basses températures.

AVERTISSEMENT

Essuyez les surfaces avec un chiffon et des tiges de nettoyage. Supprimez les résidus se

trouvant sur la carcasse, le canon, l'extracteur, le fond du percuteur et sur tous les endroits encrassés à l'aide d'une petite brosse et, le cas échéant, d'un peu d'huile. Après le nettoyage, huilez légèrement les surfaces métalliques extérieures.

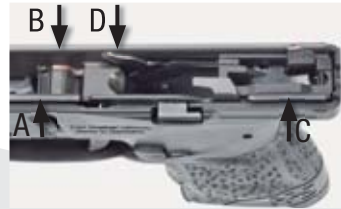
Si le pistolet doit être utilisé ou rangé dans un environnement froid, utilisez une huile pour armes recommandée pour les utilisations par basses températures.

4.4 Lubrification

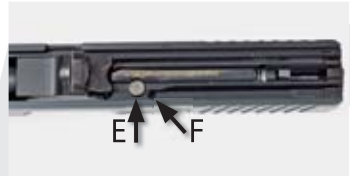
Après le nettoyage du PPS, appliquez une fine couche d'huile sur les surfaces extérieures et les pièces fonctionnelles. Utilisez exclusivement une huile pour armes exempte de résine et d'acide.

Veillez à ne pas huiler plus qu'il ne faut. Si des gouttes d'huile se forment ou si de l'huile coule à travers le pistolet, cela signifie que vous avez appliqué trop d'huile. Un excédent d'huile favorise la concentration des salissures et des restes de fumée dans le pistolet. Cela nuit au bon fonctionnement. N'huilez pas l'orifice du percuteur.

- **Canon:** Après le nettoyage du pistolet, huilez les surfaces du canon et la surface de contact entre le canon et la carcasse avec un chiffon imbibé d'huile.
- **Carcasse:** Huilez les guides de culasse (A, B et C) et la tige de détente (D) avec respectivement une goutte d'huile (4.4 illustr. 1).
- **Culasse:** Huilez la sûreté de percuteur (E) et la came de commande (F) avec respectivement une goutte d'huile (4.4 illustr. 2).
- **Chargeur:** Le chargeur doit également être légèrement huilé sur sa face extérieure.



4.4 Illustration 1



4.4 Illustration 2

4.5 Préparation au rangement / stockage

Veillez prendre en compte les dispositions légales en matière de rangement et de stockage d'armes à feu et de munitions en vigueur dans votre région/pays.

Ne conservez pas le pistolet dans quelque chose attirant ou retenant l'humidité (du cuir ou des chiffons épais par exemple). Si le pistolet doit être stocké pendant une longue période, protégez le canon, la boîte de culasse et les pièces internes avec de l'huile pour armes ou un agent conservateur prévu pour les armes. Les pièces extérieures telles que la culasse, le canon et le chargeur doivent être traitées avec un produit anticorrosion.

Nettoyez le PPS avant de le réutiliser. Lors de chaque nettoyage, prêtez également attention aux marques d'usure. En cas de marques d'usure inhabituelles, faites vérifier votre pistolet par un armurier qualifié ou par WALTHER.

EN

DE

FR

ES

IT

TU

PISTOL PPS M2

ADAPTATION DU PISTOLET À L'UTILISATEUR

5. ADAPTATION DU PISTOLET À L'UTILISATEUR

5.1 Dispositif de visée

La hausse et le guidon peuvent être remplacés. La position du point d'impact peut être ajustée en hauteur et latéralement.

ATTENTION

Avant toute intervention, assurez-vous que le pistolet et le chargeur sont déchargés.

RÉGLAGE LATÉRAL

Pour corriger la position du point d'impact, déplacez le cran de mire dans la direction dans laquelle le point d'impact doit être déplacé. Exemple : si la position du point d'impact doit être déplacée vers la droite, déplacez le point de mire vers la droite.



5.1 Illustration 1

ATTENTION

Le cran de mire en acier original WALTHER (5.1. illustr. 1) est fixé très fermement sur la culasse. Il est conseillé d'utiliser l'amplificateur de visée disponible en tant qu'accessoire spécial pour ajuster ce cran de mire. Ne retirez pas la douille de blocage se trouvant sous le cran de mire.

RÉGLAGE EN HAUTEUR

Il est possible de changer le guidon pour corriger la hauteur du point d'impact. Des guidons en acier de différentes hauteurs sont disponibles en tant qu'accessoires spéciaux.

Un guidon plus bas est nécessaire pour un tir trop bas, un guidon plus haut pour un tir trop haut.

Les guidons sont numérotés. Plus le numéro est grand, plus le guidon est haut. Sur une distance de tir de 25 m, le déplacement du point d'impact est d'environ 5 cm par chiffre.

Pour changer le guidon, le système de culasse est détaché de la carcasse. Il faut ensuite retirer le bloc ressort de recul et le canon. La vis se trouvant sur le guidon est dévissée à l'aide d'un tournevis (5.1. illustr. 2), puis le guidon est retiré.

Le montage s'effectue dans l'ordre inverse:

Essayez l'huile se trouvant sur la vis du guidon et sur le filet dans le guidon. Sécurisez la vis du guidon à l'aide d'une colle industrielle (Loctite 648 p. ex.).

Vissez légèrement la vis du guidon (à un couple de serrage de 1 Nm).



5.1 Illustration 2

5.2 Poignée

Les chargeurs pour le PPS sont disponibles en trois longueurs différentes (5.2 illstr. 1). La longueur de la poignée peut ainsi être adaptée à la taille de la main du tireur en choisissant le chargeur correspondant.



5.2 Illustration 1

| |
|-----------|
| EN |
| DE |
| FR |
| ES |
| IT |
| TU |



PISTOL PPS M2

CARACTÉRISTIQUES TECHNIQUES

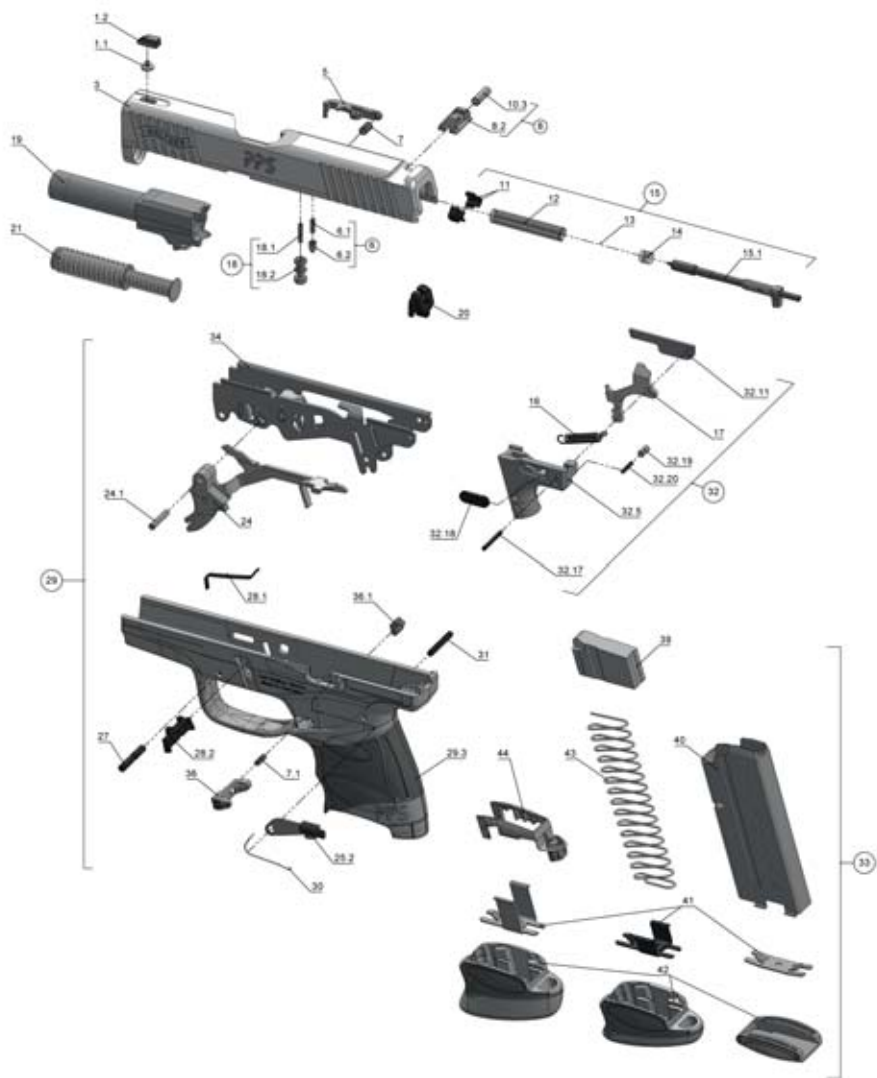
6. CARACTÉRISTIQUES TECHNIQUES

| Calibre | 9 mm x 19 / 9 mm x 21 | .40 S&W |
|---|---|-----------------------------|
| Capacité du chargeur | 6 (7 / 8) munitions | 5 (6 / 7) munitions |
| Hauteur [mm] | 110 (127 / 134) | 110 (127 / 134) |
| Longueur | 161 mm | 161 mm |
| Largeur [mm] | 27 (23 bloc de culasse) | 27 (23 bloc de culasse) |
| Longueur du canon | 81 mm | 81 mm |
| Longueur de rayure | 250 mm Avec pas à droite | 406 mm Avec pas à droite |
| Longueur de la ligne de mire | 136 mm | 136 mm |
| Poids, chargeur vide compris [g] | 600 (610 / 620) | 590 (600 / 610) |
| Poids du chargeur, vide [g] | 55 (65 / 75) | 55 (65 / 75) |
| Énergie du projectile E ₃ , Poids du projectile | 395 J 8 g | 470 J 11,5 g |
| Type de verrouillage | Système browning sans élément intermédiaire | |
| Système | Percuteur interne, partiellement armé | |
| Système de détente | Quick Defense Trigger | |
| Force/course de détente | 27 N / 7 mm (identiques à chaque tir) | |

Ces indications sont des moyennes. Les valeurs réelles peuvent s'en écarter.

Les données entre parenthèses concernent respectivement le chargeur Medium et Large.

7. REPRÉSENTATION ÉCLATÉE



EN
DE
FR
ES
IT
TU

PISTOL PPS M2

LISTE DES PIÈCES

8 LISTE DES PIÈCES

| Pos. n° | Désignation | Pos. n° | Désignation |
|---------|------------------------------------|---------|----------------------------------|
| 1.1 | Vis de guidon | 18.2 | Sûreté de percuteur |
| 1.2 | Guidon | 19 | Canon, 9 mm x 19, ET |
| 3 | Bloc de culasse 9 mm x 19 ET | 19 | Canon, 9 mm x 21, ET |
| 3 | Bloc de culasse .40 S&W ET | 19 | Canon, .40 S&W ET |
| 5 | Extracteur | 20 | Plaque de culasse |
| 6 | Axe d'extracteur, complet | 21 | Bloc ressort de recul |
| 6.1 | Axe d'extracteur | 24 | Détente, complète |
| 6.2 | Ressort pour l'axe d'extracteur | 24.1 | Axe de détente |
| 7 | Ressort d'extracteur 9 mm x 19 | 25.2 | Levier d'arrêt |
| 7 | Ressort d'extracteur .40 S&W | 27 | Goupille d'arrêt de canon |
| 7.1 | Ressort d'arrêt de chargeur | 28.1 | Ressort d'arrêt de canon |
| 8 | Cran de mire cpl. | 28.2 | Arrêt de canon |
| 8.2 | Cran de mire | 29 | Carcasse, complète, 9 mm x 19 ET |
| 10.3 | Goupille cran de mire | 29 | Carcasse, complète, 9 mm x 21 ET |
| 11 | Support de ressort | 29 | Carcasse, complète, .40 S&W ET |
| 12 | Ressort-percuteur | 29.3 | Carcasse |
| 13 | Douille de butée | 30 | Ressort de levier d'arrêt |
| 14 | Ressort de rappel | 31 | Goupille spiralée 3 x 21 |
| 15 | Percuteur, complet | 32 | Boîtier de détente, complet |
| 15.1 | Percuteur | 32.5 | Boîtier de détente |
| 16 | Ressort de détente | 32.11 | Contre-appui |
| 17 | Guide | 32.17 | Goupille pour ressort de détente |
| 18 | Sûreté de percuteur, complète 2014 | 32.18 | Plaque de butée |
| 18.1 | Ressort pour sûreté de percuteur | | |

LISTE DES PIÈCES

| Pos. n° | Désignation | Pos. n° | Désignation |
|---------|--------------------------------------|---------|--|
| 32.19 | Axe de guide | 40 | Boîtier de chargeur, 9 mm x 19 |
| 32.20 | Ressort de guide 9 mm x 19 | 40 | Boîtier de chargeur, .40 S&W |
| 32.20 | Ressort de guide .40 S&W | 41 | Support de fond S |
| 33 | Chargeur S, 9 mm x 19 | 41 | Support de fond M |
| 33 | Chargeur S .40 S&W | 41 | Support de fond L |
| 33 | Chargeur M, 9 mm x 19 | 42 | Fond de chargeur S |
| 33 | Chargeur M, .40 S&W | 42 | Fond de chargeur M |
| 33 | Chargeur L, 9 mm x 19 | 42 | Fond de chargeur L |
| 33 | Chargeur L, .40 S&W | 43 | Ressort de chargeur 9 mm x 19 |
| 34 | Composants de guidage | 43 | Ressort de chargeur .40 S&W pour fond de chargeur S et M |
| 36 | Arrêteur du chargeur | 43 | Ressort de chargeur .40 S&W pour fond de chargeur L |
| 36.1 | Plaque | 44 | Cache |
| 39 | Dispositif d'alimentation, 9 mm x 19 | | |
| 39 | Dispositif d'alimentation, .40 S&W | | |

Remarque:

Sauf indication contraire, mêmes pièces pour 9 mm x 19 et 9 mm x 21.

Les composants de guidage (34) et carcasses (29.3) ne sont pas disponibles en pièces détachées. Elles sont uniquement disponibles sous forme de l'ensemble Carcasse, ET (29).

EN

DE

FR

ES

IT

TU

ANALTHE



INSTRUCCIONES DE USO

PISTOLA PPS M2

EN

DE

FR

ES

IT

TU



LEA CON ATENCIÓN LAS INSTRUCCIONES Y ADVERTENCIAS DE ESTE MANUAL ANTES DE UTILIZAR EL ARMA.

PISTOLA PPS M2



NOTA:

En el presente manual se detallan las instrucciones de uso de la pistola por parte de civiles. Las instrucciones para los cuerpos de seguridad pueden diferir de lo especificado aquí. A lo largo del manual, las indicaciones de situación, como «izquierda», «derecha», «adelante», «atrás», etc. hacen referencia a una pistola sostenida en una posición de disparo normal, es decir, apuntando en dirección opuesta al tirador, con el cañón en posición aproximadamente horizontal y con la empuñadura dirigida hacia abajo. Las explicaciones de este manual se basan en el uso del arma con la mano derecha. Los usuarios zurdos deben realizar los cambios correspondientes.

Tenga en cuenta que las ilustraciones de este manual tienen un fin explicativo y pueden no coincidir con el arma real.

ÍNDICE

| | |
|--|-----------|
| 1 Instrucciones de seguridad | 4 |
| 2 Descripción del producto | 5 |
| 2.1 Descripción del funcionamiento | 5 |
| 2.2 Munición | 6 |
| 2.3 Elementos funcionales | 7 |
| 3 Manipulación de la pistola | 10 |
| 3.1 Inspección de la pistola | 10 |
| 3.2 Carga | 11 |
| 3.3 Disparo | 12 |
| 3.4 Cambio de cargadores vacíos | 12 |
| 3.5 Descarga | 13 |
| 3.6 Limpieza de disparos fallidos | 14 |
| 4 Desmontaje, limpieza, lubricación y mantenimiento | 14 |
| 4.1 Componentes principales | 14 |
| 4.2 Cargador | 16 |
| 4.3 Limpieza de la pistola | 18 |
| 4.4 Lubricación | 19 |
| 4.5 Mantenimiento antes del almacenamiento | 19 |
| 5 Adaptación de la pistola al usuario | 20 |
| 5.1 Miras | 20 |
| 5.2 Empuñadura | 21 |
| 6 Especificaciones técnicas | 22 |
| 7 Despiezado | 23 |
| 8 Lista de piezas | 24 |

PISTOLA PPS M2

INSTRUCCIONES DE SEGURIDAD

1. INSTRUCCIONES DE SEGURIDAD

- Antes de utilizar la pistola, lea detenidamente este manual de instrucciones para conocer con detalle sus funciones y procedimientos de manipulación.
- Al realizar una inspección de seguridad, antes de llevar a cabo una limpieza del arma, antes de disparar o cuando se produzcan fallos de funcionamiento, compruebe siempre que la pistola está descargada (el cargador se ha extraído y la recámara está vacía). Verifique visualmente que el ánima del cañón está limpia y no presenta obstrucciones y el cargador está vacío.
- A menos que vaya a disparar, nunca tenga la munición en el mismo lugar que el arma. Guárdelos por separado en lugares seguros, de modo que las personas no autorizadas, como los niños, no puedan tener acceso a ellas.
- Trate siempre las armas de fuego como si estuviesen cargadas y pudiesen dispararse al apretar el gatillo. Manipule siempre la pistola de manera profesional y disciplinada, de manera que no suponga ningún peligro para usted ni para las personas que se encuentren cerca. Mantenga siempre el arma apuntada en una dirección que resulte segura. No apunte nunca con un arma de fuego a una persona u objeto sobre el que no pretenda disparar, independientemente de que el arma esté cargada o no.
- **Precaución:** mantenga los dedos apartados del guardamonte y del gatillo hasta que alinee las miras de la pistola sobre un objetivo seguro y tome la decisión de disparar. Preste siempre atención al objetivo y a lo que hay tras él.
- No fuerce nunca las piezas de la pistola al utilizarla, examinarla, desmontarla, limpiarla o montarla. La manipulación indebida del arma puede afectar a su funcionamiento y seguridad. La pistola no debe en ningún caso desmontarse más allá de lo especificado en el presente manual de instrucciones.
- Solo es posible garantizar la seguridad y el correcto funcionamiento de la pistola cuando tanto ésta como su munición se encuentran en perfecto estado.
- Si sospecha que el arma puede haber resultado dañada o haberse visto afectada por factores como la corrosión, una caída, etc., llévela a revisar por un armero cualificado.
- Utilice siempre protección auditiva y gafas de seguridad adecuadas para armas de fuego y asegúrese de que todas las personas que se encuentran en las cercanías del lugar donde va a usar el arma también las usan.
- Este arma se ha diseñado para una munición de un tipo y calibre específicos, que se indican en la propia arma. Utilice únicamente munición del calibre indicado para el arma y que cumpla las especificaciones de la Comisión Internacional Permanente para la Prueba de Armas de Fuego Portátiles (CIP) o el Instituto de Fabricantes de Armas y Municiones de Caza Deportiva (SAAMI). Cuando utilice munición recargada, no utilice una presión de gas mayor que permitida por CIP o SAAMI. Una presión excesiva puede dañar o destruir el arma de fuego. Las municiones con velocidades y presiones superiores a aquellas para las que está diseñada el arma la someterán a una mayor tensión, causarán un desgaste excesivo y podrían llegar a ocasionar daños graves en ella.

DESCRIPCIÓN DEL PRODUCTO

- Antes de cargar la munición, limpie siempre el exceso de grasa y aceite y compruebe que el ánima del cañón está limpia y no presenta obstrucciones.
- No altere, modifique o cambie ninguna pieza del arma a menos que así se indique específicamente en este manual. Toda operación de mantenimiento o reparación no especificada en este manual debe ser realizada por un armero cualificado utilizando piezas originales WALTHER.
- La manipulación inadecuada o no autorizada de los componentes del arma puede afectar a su seguridad y fiabilidad, así como causar heridas graves o incluso la muerte.

CLÁUSULA DE EXENCIÓN DE RESPONSABILIDAD

Extreme siempre las precauciones cuando vaya a manejar un arma. Siempre existe un riesgo de que involuntariamente se produzcan, lesiones personales o incluso la muerte y daños materiales. WALTHER se exime de toda responsabilidad por los daños derivados de un uso inapropiado o contrario a la normativa legal de la pistola. Esto mismo es válido para daños derivados de la no observancia de estas instrucciones de uso, del cambio no autorizado de piezas o cualquier otra modificación de la pistola que no esté prevista expresamente en estas instrucciones de uso.

2 DESCRIPCIÓN DEL PRODUCTO

2.1 Descripción del funcionamiento

La pistola semiautomática WALTHER PPS dispara a cerrojo cerrado, aprovechando el principio de retroceso corto. Al apretar el gatillo, se libera el percutor y se dispara el cartucho. La presión del gas impulsa el proyectil y lo hace salir del cañón. El impulso resultante provoca un movimiento hacia atrás del cañón y la corredera, que retroceden juntos unos centímetros, hasta que ambos se separan debido un movimiento basculante que hace que la parte posterior del primero descienda y se detenga. La corredera sigue su trayectoria hacia atrás y extrae el cartucho usado de la recámara, expulsándolo por el lado derecho del arma.

Una vez que la corredera alcanza el límite de su recorrido, el resorte recuperador la hace avanzar de nuevo, toma un cartucho nuevo del cargador y lo introduce en la recámara. Este mismo movimiento hace avanzar y ascender la recámara y el cañón hasta encajar en la corredera. Suelte el gatillo para que recupere su posición inicial. En este momento, la pistola estará lista para realizar otro disparo.

EN

DE

FR

ES

IT

TU

PISTOLA PPS M2

DESCRIPCIÓN DEL PRODUCTO

2.2 Munición

ATENCIÓN

No utilice munición que no haya sido diseñada específicamente para ser usada en este arma. Si se utiliza una munición de un tipo o calibre incorrecto, es posible que el arma se encasquille, que no dispare o que se genere una presión excesiva capaz de dañar o destruir el arma, lo que podría provocar daños materiales, lesiones e incluso la muerte.

Consulte la designación de calibre indicada en el arma. Esta información muestra el calibre de la munición que se debe usar en este arma de fuego (2.3. Fig. 1)

Utilice únicamente munición adecuada para el calibre del arma y que cumpla las especificaciones de CIP o SAAMI o que posea la certificación «Technische Richtlinie Patrone 9 mm x 19 schadstoffreduziert».

Compruebe la munición antes de dispararla y utilice únicamente aquella que se encuentre en perfecto estado. Un arma de fuego y su correspondiente munición son un sistema y, como tal, deben trabajar conjuntamente. El rendimiento de ambos se encuentra estrechamente relacionado. El retroceso puede verse afectado en gran medida por las distintas combinaciones de velocidad y peso de la bala, así como por el peso del arma. Una fuerza de retroceso elevada puede resultar incómoda para algunos tiradores.



2.2 Fig. 1

Por ejemplo:

- **Peso del arma:** a menor peso del arma, mayor retroceso.
- **Peso de la bala:** a mayor peso de la bala, mayor retroceso.
- **Velocidad de la bala:** a mayor velocidad de la bala, mayor retroceso.

Para acostumbrarse a un retroceso mayor, pruebe lo siguiente:

- Sujete firmemente el arma con las dos manos al disparar.
- Empiece a disparar siempre con la menor velocidad y peso de bala disponibles para su arma.
- Solicite en su armería la bala de menor potencia, velocidad y peso para su arma.
- También puede intentar cambiar la composición/configuración de la empuñadura del arma para que se ajuste mejor a la forma y el tamaño de su mano.

DESCRIPCIÓN DEL PRODUCTO

2.3 Elementos funcionales



- | | | | |
|---|-----------------------------------|----|--------------------|
| 1 | Corredera | 7 | Alza |
| 2 | Punto de mira | 8 | Cargador |
| 3 | Retén de desmontaje | 9 | Empuñadura |
| 4 | Muesca de la palanca de retención | 10 | Retén del cargador |
| 5 | Lateral aserrado de la corredera | 11 | Gatillo |
| 6 | Palanca de retención | 12 | Guardamonte |
| | | 13 | Armazón |

EN
DE
FR
ES
IT
TU

- | | |
|---|--|
| 1 | Conjunto de guía del resorte de recuperación |
| 2 | Boca |
| 3 | Modelo |
| 4 | Tapa de extremo de corredera |
| 5 | Extractor |
| 6 | Ventana de expulsión |
| 7 | Cañón |
| 8 | Número de serie |



PISTOLA PPS M2

DESCRIPCIÓN DEL PRODUCTO

2.4.1 Indicador de carga de la recámara

La pistola cuenta con un indicador de carga de la recámara (2.4.1 Fig. 1) en forma de escotadura en la parte superior trasera de la ventana de expulsión.

Mire en la escotadura para comprobar si hay un cartucho en la recámara. En caso de haber uno, podrá ver el culote del mismo a través de la escotadura.



2.4.1 Fig. 1

⚠ PRECAUCIÓN

Trate siempre el arma como si estuviese cargada y pudiese dispararse al apretar el gatillo. No confíe exclusivamente en el indicador de carga para saber si hay un cartucho en la recámara. El método más seguro para determinar la presencia o ausencia de munición en la recámara consiste en inspeccionar visualmente esta última, extrayendo para ello el cargador de la pistola y tirando de la corredera hasta fijarla en la posición abierta.

⚠ PRECAUCIÓN

El indicador de carga de la recámara puede ayudar a determinar si ésta se encuentra cargada o no, pero la cantidad de luz, la limpieza de la pistola, la decoloración de la munición y otros factores pueden limitar la efectividad de este indicador.

Extraiga el cargador de la pistola, tire la corredera hacia atrás hasta el tope y bloquéela con la palanca de retención de la corredera. Haga un examen visual de la recámara y verifique que está vacía.

2.4.2 Retén del cargador

El retén del cargador se encuentra en la parte lateral de la empuñadura.

Extracción del cargador:

El dedo se encuentra fuera del guardamonte y no toca el gatillo. Presione el retén del cargador y extraiga el cargador (2.4.2 Fig. 1).



2.4.2 Fig. 1

DESCRIPCIÓN DEL PRODUCTO

2.4.3 Palanca de retención

Bloqueo de la corredera en posición abierta:

Sujete la pistola por la empuñadura con el dedo fuera del guardamonte y sin apoyarlo en el gatillo. Presione el retén del cargador y extraiga este último. Sujete la corredera desde detrás, por los laterales aserrados, con el pulgar y los dedos mientras sostiene la pistola y tire completamente hacia atrás con firmeza para extraer cualquier cartucho que pudiera encontrarse en la recámara y vaciar la pistola. Para bloquear la corredera en posición abierta, deje que ésta avance ligeramente desde la posición totalmente retrasada mientras presiona hacia arriba la palanca de retención (2.4.3 Fig. 1).



2.4.3 Fig. 1

Liberación de la corredera mediante la palanca de retención:

Empuje la palanca de retención de la corredera hacia abajo con el pulgar de la mano de disparo para liberar la corredera y dejar que vuelva a moverse totalmente hacia adelante. Para manejar con mayor facilidad la corredera, sujete los laterales aserrados de ésta desde detrás y tire de ella hacia atrás mientras mantiene presionada la palanca de retención a fin de liberar la corredera y permitir que avance hasta la posición totalmente adelantada.

2.4.4 Cargador

Gracias a los tres cargadores de distintas longitudes disponibles para cada uno de los calibres, es posible ajustar la longitud del armazón de la PPS para adaptarlo a manos de todos los tamaños. Puede optar por cargadores con tapa inferior a ras, con extensión media o con extensión grande:

| Calibre | 9 mm x 19 9 mm x 21 | .40 S&W |
|---|------------------------|---------|
| Tapa inferior de cargador pequeña (pequeña) | 6 | 5 |
| Tapa inferior de cargador media (media) | 7 | 6 |
| Tapa inferior de cargador grande (grande) | 8 | 7 |

La capacidad del cargador depende del tamaño de la tapa inferior. El cuerpo del cargador y el número de orificios son idénticos independientemente del tamaño del cargador. Una vez extraído el cargador de su alojamiento, es posible ver el número de cartuchos restantes en el mismo a través de los orificios (2.4.4 Fig. 1).



2.4.4 Fig. 1

EN

DE

FR

ES

IT

TU

PISTOLA PPS M2

MANIPULACIÓN DE LA PISTOLA

3 MANIPULACIÓN DE LA PISTOLA

3.1 Inspección de la pistola

- Antes de inspeccionar la pistola, es necesario comprobar que se encuentra descargada. Apunte la boca del cañón en una dirección segura. El dedo deberá estar fuera del guardamonte y alejado del gatillo. Presione el retén del cargador y extraiga el cargador (3.1 Fig. 1).
- Sujete la corredera desde detrás por los laterales aserrados con el pulgar y los dedos, según se muestra en 3.1. Fig. 2, y tire completamente hacia atrás con firmeza para extraer cualquier cartucho que pudiera encontrarse en la recámara y vaciar la pistola. No obstruya la ventana de expulsión, ya que podría impedir la salida del cartucho.
- Bloquee la corredera en posición abierta. Para ello, deje que ésta avance un poco desde la posición totalmente retrasada mientras presiona hacia arriba la palanca de retención (3.1 Fig. 3).
- Examine la recámara para asegurarse de que está descargada e inspeccione visualmente el ánima a fin de comprobar que está limpia, seca y libre de obstrucciones (3.1 Fig. 4).

Es necesario llevar a cabo este procedimiento cada vez que la pistola se desmonta, se limpia, se recibe o entrega a otra persona, se transporta o se almacena.



3.1 Fig. 1



3.1 Fig. 2



3.1 Fig. 3



3.1 Fig. 4

PRECAUCIÓN

Nunca confíe exclusivamente en las características mecánicas. Solo la manipulación segura del arma puede garantizar un uso seguro de la misma. Recuerde, es su responsabilidad.

MANIPULACIÓN DE LA PISTOLA

3.2 Carga

3.2.1 Cargador

Una vez extraído el cargador de su alojamiento, es posible ver el número de cartuchos restantes en el mismo a través de los orificios.



3.2.1 Fig. 1



Nota:

El uso de un cargador no autorizado por WALTHER para el modelo y calibre de su pistola podría dar lugar a fallos de funcionamiento o provocar daños en el cargador y la pistola.



PRECAUCIÓN

No intente introducir en el cargador un número de cartuchos superior al especificado, ya que esto podría dar lugar a un fallo de alimentación. No aplique una fuerza excesiva, ya que podría dañar el cargador. Los cargadores defectuosos pueden dar lugar a fallos de funcionamiento e inutilizar la pistola.

Para llenar el cargador, presione el culote de un cartucho (su parte trasera) hacia abajo sobre la parte delantera del elevador (o sobre el cartucho en caso de que haya uno previamente cargado) y deslícelo completamente bajo los labios del cargador hasta que el culote del cartucho se encuentre apoyado contra la parte posterior del cargador. Repita el procedimiento tantas veces como cartuchos desee cargar, respetando siempre el límite de capacidad del cargador (3.2.1 Fig. 2).



3.2.1 Fig. 2

3.2.2 Carga de la pistola

- Examine la pistola, tal y como se describe en la sección 3.1.
- Sujete la pistola con el dedo fuera del guardamonte y apartado del gatillo, apuntando el arma en una dirección segura. Introduzca el cargador cargado en su alojamiento hasta que quede sujeto en su posición. Para asegurarse de que el cargador está introducido por completo y de forma segura, tire hacia abajo de la parte visible de la tapa inferior del cargador. Si está debidamente introducido, no debe moverse.
- Tire de la corredera completamente hacia atrás y suéltela para que se desplace totalmente hacia adelante.



ATENCIÓN

Cargue siempre un cartucho en la recámara trasladándolo desde el cargador. Nunca intente cargar la pistola introduciendo un cartucho por la ventana de expulsión abierta. En caso contrario, el usuario del arma o las personas que se encuentran cerca podrían resultar heridas de gravedad o incluso muertas.

PISTOLA PPS M2

MANIPULACIÓN DE LA PISTOLA

! PRECAUCIÓN

En este momento, la pistola está cargada y lista para disparar. La pistola está cargada con un cartucho y se disparará si se aprieta el gatillo. No olvide que la pistola debe apuntar siempre en una dirección segura y que ha de mantener en todo momento los dedos y cualquier otro objeto alejados del gatillo y fuera del guardamonte hasta que decida disparar el arma. Nunca permita que el arma de fuego cargada quede fuera de su control directo.

3.3 Disparo

- Apunte siempre con el arma en una dirección segura y mantenga el dedo fuera del guardamonte hasta que esté listo para disparar.
- La forma de sujetar el arma afecta al control del retroceso y del gatillo. Sujete la pistola siempre con firmeza y manténgala debidamente alineada. El armazón de la PPS ofrece un gran nivel de control, que permite al tirador disponer de un agarre elevado, muy cercano al eje del ánima del arma.
- Mientras sujeta con firmeza el arma por la empuñadura, coloque el dedo sobre la superficie frontal del gatillo y muévalo lentamente. Apriete el gatillo hasta que éste alcance su límite de recorrido. Cuando el gatillo llega atrás, el percutor se libera y golpea al fulminante.
Al disparar, la corredera se mueve hacia atrás para extraer y expulsar la vaina del cartucho usado. A continuación, la corredera vuelve hacia adelante e introduce el siguiente cartucho del cargador en la recámara del cañón.
- Tras disparar, debe dejar que el gatillo regrese a su posición original antes de disparar de nuevo. Mantenga el dedo apartado del gatillo y fuera del guardamonte hasta que esté listo para disparar de nuevo. Puede repetir esta secuencia de pasos hasta disparar todos los cartuchos.
En ese momento, el elevador presiona hacia arriba la palanca de retención para mantener la corredera bloqueada en posición abierta.

! PRECAUCIÓN

Utilice siempre protección auditiva y gafas de seguridad adecuadas para armas de fuego. Al disparar la pistola o soltar la palanca de retención para liberar la corredera, ésta se moverá con una fuerza y velocidad considerables. A fin de evitar lesiones, asegúrese de que ninguna parte de su cuerpo se encuentra en la trayectoria de la corredera.

3.4. Cambio de cargadores vacíos

Tras disparar el último cartucho, el elevador presiona hacia arriba la palanca de retención para mantener la corredera bloqueada en posición abierta.

- Presione el retén del cargador y extraiga este último.

MANIPULACIÓN DE LA PISTOLA

- Para seguir disparando, introduzca otro cargador con munición.
- Tire de la corredera completamente hacia atrás y suéltela para que se desplace totalmente hacia adelante.

PRECAUCIÓN

La pistola quedará lista para disparar. Apunte siempre con el arma en una dirección segura y mantenga el dedo fuera del guardamonte y apartado del gatillo hasta que esté listo para disparar.

3.5 Descarga de la pistola

- Apunte el arma en una dirección segura. Mantenga el dedo apartado del gatillo y fuera del guardamonte. Presione el retén del cargador y extraiga este último (3.5 Fig. 1).
- Sujete la corredera desde detrás por los laterales aserrados con el pulgar y los dedos (3.5. Fig. 2) y tire completamente hacia atrás con firmeza para extraer cualquier cartucho que pudiera encontrarse en la recámara y vaciar la pistola. No obstruya la ventana de expulsión, ya que podría impedir la salida del cartucho.
- Bloquee la corredera en posición abierta. Para ello, deje que ésta avance un poco desde la posición totalmente retrasada mientras presiona hacia arriba la palanca de retención (3.5 Fig. 3).
- Examine visualmente la recámara para asegurarse de que está vacía.
- Mire en la recámara y en el alojamiento del cargador. Compruebe que no queda munición en la pistola.
- Descargue el cargador. Para ello, sujételo de modo que el extremo a través del que se cargan los cartuchos no apunte hacia usted y presione cada cartucho hacia adelante y afuera del cargador.



3.5 Fig. 1



3.5 Fig. 2



3.5 Fig. 3

ATENCIÓN

Recuerde también que cada vez que libera la corredera mientras la pistola contiene un cargador con cartuchos, el arma se recarga y queda lista para disparar.

EN

DE

FR

ES

IT

TU

PISTOLA PPS M2

DESMONTAJE, LIMPIEZA, LUBRICACIÓN Y MANTENIMIENTO

3.6 Limpieza de disparos fallidos

- Si un cartucho no se dispara, espere 10 segundos mientras apunta en una dirección segura.
- Siga el procedimiento especificado en la sección 3.5 «Descarga de la pistola».
- Transcurrido ese tiempo, puede examinar con seguridad la recámara del cañón inspeccionar visualmente el ánima en busca de obstrucciones. Asegúrese de que no haya cartuchos en la recámara ni obstrucciones en el cañón.

4 DESMONTAJE, LIMPIEZA, LUBRICACIÓN Y MANTENIMIENTO

ATENCIÓN Asegúrese de que el arma está descargada (el cargador se ha extraído de la pistola y la recámara está vacía) y el cargador está vacío.

4.1 Componentes principales

ATENCIÓN Para desmontar el arma, deberá apretar el gatillo. Por lo tanto, si no ha descargado la pistola correctamente y ha quedado algún cartucho en la recámara, ésta podría dispararse causándole a usted o a otras personas graves lesiones e incluso la muerte, además de daños materiales. Por ello, es imprescindible que revise visualmente la recámara y el alojamiento del cargador con sumo cuidado para asegurarse de que están vacíos antes de apretar el gatillo.

4.1.1 Desmontaje

- Extraiga el cargador y descargue la pistola. Bloquee la corredera en posición abierta. Mire en la recámara y en el alojamiento del cargador. Compruebe que no queda munición en la pistola.
- Cierre la corredera. Para ello, tire ligeramente hacia atrás de la corredera y suéltela lentamente para que regrese a la posición adelantada.
- Apunte el arma en una dirección segura. Apriete el gatillo hasta que éste alcance su límite de recorrido. (4.1.1 Abb. 1).
- Lleve la corredera hacia adelante y extraígalas del armazón.
- Extraiga el conjunto de guía del resorte recuperador de debajo del cañón mientras aprieta el resorte (4.1.1 Fig. 2).



4.1.1 Fig. 1



4.1.1 Fig. 2

- Quite el cañón de la corredera.
- Los componentes principales de la pistola se muestran en 4.1.1.



4.1.1 Fig. 3

4.1.2 Montaje

- Sujete la corredera en posición invertida. Coloque el cañón en su interior, con los tetones en la posición que se indica en 4.1.2 Fig. 1.
- Introduzca el conjunto de guía del resorte recuperador: coloque el extremo más pequeño (negro) de la guía del resorte recuperador en la parte delantera de la corredera y luego inserte el extremo más grande en el receso inferior del cañón, manteniendo la presión del resorte (4.1.2 Fig. 1 y 2).



4.1.2 Fig. 1



4.1.2 Fig. 2



Nota:

Es normal que el conjunto de guía del resorte recuperador se doble parcialmente al instalarse.

- Empuje la corredera desde el frontal e introdúzcala en las guías que a tal fin presenta el armazón (4.1.2. Fig. 3), haciendo que entre lo bastante como para que el retén de desmontaje quede encajado en su posición. Suelte la corredera y deje que se mueva totalmente hacia adelante hasta quedar bloqueada en su posición.



4.1.2 Fig. 3

EN

DE

FR

ES

IT

TU

PISTOLA PPS M2

DESMONTAJE, LIMPIEZA, LUBRICACIÓN Y MANTENIMIENTO

4.2 Cargador

4.2.1 Desmontaje

El muelle del cargador está sometido a una elevada presión. Proceda con mucho cuidado al desmontar el cargador. Vigile el retén de la tapa inferior y el muelle mientras desmonta esta última, ya que pueden salir despedidos y causar lesiones.

1. Para cargadores con una tapa inferior media o grande: use un destornillador pequeño para levantar ligeramente la parte delantera del protector en primer lugar y, a continuación, la del lado derecho. (4.2.1. Fig. 1) A continuación, levante la parte posterior del protector. (4.2.1. Fig. 2) Levante el protector por completo tirando de él hacia arriba y extráigalo de la tapa inferior. (4.2.1. Fig. 3).



4.2.1 Fig. 1

2. Utilice un punzón de 4 mm para presionar el retén de la tapa inferior a través del orificio de ésta. Para cargadores con tapas inferiores medias o grandes: alinee los pies de la tapa inferior de modo que queden en paralelo con la pared trasera del cuerpo del cargador (4.2.1 Fig. 4).



4.2.1 Fig. 2

3. Deslice la tapa inferior hacia adelante y extráigala del cuerpo del cargador mientras mantiene presionado el retén de la tapa.
4. Saque el retén de la tapa y el muelle del cuerpo del cargador con mucho cuidado a través de la parte inferior del cargador.
5. Coloque el cuerpo con la parte derecha hacia arriba y extraiga el elevador a través de la parte inferior del cuerpo.



4.2.1 Fig. 3



4.2.1 Fig. 4



4.2.1 Fig. 5

4.2.2 Montaje

1. Monte de nuevo el elevador, el muelle del cargador y el retén de la tapa inferior en orden inverso en el cuerpo con la misma orientación que tenían antes de ser desmontados. No aplique una fuerza excesiva al montar el cargador.
2. Mientras presiona el retén de la tapa inferior en el cuerpo, deslice la tapa en el cuerpo de modo que la prominencia redondeada de ésta encaje en el orificio de la tapa. En ese momento podrá oír un clic característico (4.2.2 Fig. 1). Para cargadores con una tapa inferior media o grande: alinee los pies de la tapa inferior de modo que queden en paralelo con la pared trasera del cuerpo del cargador (4.2.2 Fig. 2).
3. Para cargadores con una tapa inferior media o grande: sujete el protector con las puntas hacia abajo y deslícelo sobre el cuerpo del cargador, iniciando el movimiento desde la pared trasera del mismo (4.2.2 Fig. 3, paso 1). Presione el protector con suavidad desde arriba hasta que encaje en la tapa inferior. (4.2.2 Fig. 3, paso 2).



4.2.2 Fig. 1



4.2.2 Fig. 2



4.2.2 Fig. 3

EN

DE

FR

ES

IT

TU

PISTOLA PPS M2

DESMONTAJE, LIMPIEZA, LUBRICACIÓN Y MANTENIMIENTO

4.3 Limpieza de la pistola

ATENCIÓN

Asegúrese de que el arma está descargada (el cargador se ha extraído de la pistola y la recámara está vacía) y el cargador está vacío.

Antes de usar el arma por primera vez, es recomendable examinarla y limpiarla. A fin de protegerla contra la corrosión, el arma ha sido tratada con un conservante o aceite. Antes de utilizarla, es necesario eliminar todo el exceso de aceite del ánima, la recámara y las áreas expuestas usando un bastoncillo o un paño limpio.

Esta arma de fuego es un instrumento de precisión. Para garantizar un funcionamiento óptimo es necesario seguir un procedimiento de mantenimiento rutinario.

Es conveniente limpiar la pistola tras cada uso o en aquellos casos en los que haya quedado expuesta a condiciones climáticas extremas.

Desmonte la pistola del modo indicado con anterioridad (sección 4.1).

Partiendo del extremo de la recámara, introduzca un cepillo en el ánima del cañón hasta que sobresalga por la boca. A continuación realice el movimiento inverso y tire del cepillo hasta que las cerdas salgan por el extremo de la recámara. Elimine el plomo y los residuos de los disparos del interior del cañón con un cepillo de latón y un buen disolvente de pólvora. Limpie el arma con un paño o un bastoncillo.

Utilizando un cepillo pequeño mojado en disolvente, elimine todos los restos de los alrededores del cañón, la recámara, el extractor y las zonas adyacentes que hayan estado expuestas a la acción de la pólvora o al residuo del fulminante. Elimine todos los residuos del armazón con un cepillado ligero y disolvente. Una vez finalizada la limpieza, aplique una ligera capa de aceite para armas de gran calidad a todas las superficies metálicas externas y frote bien hasta limpiarlas.

Si tiene previsto usar o guardar el arma en un clima frío, recuerde que debe utilizar un aceite que no se congele a bajas temperaturas.

PRECAUCIÓN

Siga siempre las instrucciones incluidas con el limpiador y el lubricante de armas. Algunos limpiadores pueden causar daños a la pistola. No introduzca la pistola en disolvente ni la limpie por medios ultrasónicos durante periodos de tiempo prolongados (la temperatura máxima para limpiezas ultrasónicas es de 50 °C). Utilice únicamente disolventes diseñados específicamente para el mantenimiento de armas de fuego. No se deben usar disolventes amoniacados ni otros disolventes alcalinos fuertes con armas WALTHER.

4.4 Lubricación

Tras limpiar toda la pistola, utilice un paño para aplicar una capa fina de aceite para armas de gran calidad a todas las superficies metálicas externas y frote bien hasta limpiarlas. No lubrique la pistola hasta el extremo de que el aceite llegue a gotear o chorrear, ya que en el exceso de lubricante pueden quedar atrapadas grandes cantidades de suciedad, pólvora no quemada y residuos que pueden entorpecer el correcto funcionamiento del arma. Recuerde que en ningún caso debe entrar aceite en el canal del percutor.

- **Cañón:** Aplique con un paño una capa ligera de aceite de alta calidad a todas las superficies externas y a la rampa donde el conjunto de bloqueo eleva el cañón.
- **Armazón:** Ponga solo una gota de aceite en las guías de la corredera (A, B, y C) y en la barra del gatillo (D) (4.4 Fig. 1).
- **Corredera:** Ponga solo una gota de aceite en el émbolo del seguro (E) y en el émbolo del extractor (F) (sección 4.4 Fig. 2).
- **Cargador:** Aplique una capa ligera de aceite para armas de alta calidad a todas las superficies metálicas externas.



4.4 Fig. 1



4.4 Fig. 2

4.5 Mantenimiento antes del almacenamiento

Debe cumplir en todo momento la normativa referente al almacenamiento de armas de fuego.

Al almacenar el arma, no la guarde en un lugar que pueda atraer o retener la humedad como, por ejemplo, cuero o tejidos gruesos. Si va a almacenar el arma durante un periodo prolongado, es recomendable engrasar el ánima, la recámara y el mecanismo interno con un aceite lubricante de alta calidad o un conservante para armas de fuego. Debe aplicarse una capa de aceite anticorrosión a los mecanismos externos, la corredera, el cañón y el cargador.

Antes de usar el arma de nuevo, no olvide limpiarla. Cada vez que limpie el arma compruebe si hay señales de desgaste. De ser así, no utilice el arma. Enviela a WALTHER para que sea reparada o llévela a un armero cualificado para que la revise.

EN

DE

FR

ES

IT

TU

PISTOLA PPS M2

ADAPTACIÓN DE LA PISTOLA AL USUARIO

5. ADAPTACIÓN DE LA PISTOLA AL USUARIO

5.1 Miras

Es posible cambiar tanto el punto de mira como el alza y, además, se puede ajustar la lateralidad y la altura del punto de impacto.



ATENCIÓN

Asegúrese de que el arma está descargada (el cargador se ha extraído de la pistola y la recámara está vacía) y el

cargador está vacío.

AJUSTE LATERAL

Los ajustes de lateralidad se llevan a cabo desplazando el alza de acero de lado a lado con la herramienta de ajuste del alza. Si los disparos se agrupan a la derecha, mueva el alza hacia la izquierda y, si se agrupan a la izquierda, desplace el alza hacia la derecha.



5.1 Fig. 1



ATENCIÓN

La mira estándar de acero WALTHER (5.4. Fig. 1) encaja con una precisión absoluta. La herramienta de ajuste del alza, que se ofrece como accesorio opcional, es muy recomendable para ajustar la lateralidad del arma. No desmonte el manguito que hay bajo el alza de acero.

AJUSTE EN ALTURA

Los ajustes en altura se llevan a cabo utilizando puntos de mira de distintas alturas. Se ofrecen puntos de mira de acero de diferentes alturas como accesorio opcional. Si los disparos se agrupan demasiado abajo, utilice un punto de mira más bajo. En cambio, si se agrupan demasiado arriba, use uno más alto. Los puntos de mira cuentan con una numeración, de manera que, cuanto mayor es el número, más alto es el punto de mira. Cada nivel ofrece una corrección de impactos de aproximadamente 5 cm a una distancia de 25 m del objetivo.



5.1 Fig. 2

Para cambiar el punto de mira, desmonte la pistola como se indica en la sección 4.1. Extraiga el tornillo del punto de mira (5.1 Fig. 2) utilizando un destornillador y presione el punto de mira hacia arriba hasta sacarlo.

El montaje se realiza invirtiendo el proceso. Recuerde que es necesario comprobar que el tornillo y la rosca del interior del punto de mira de acero están libres de aceite y grasa. La rosca del tornillo del punto de mira debe asegurarse utilizando un adhesivo industrial (como, por ejemplo, Loctite 648). Apriete ligeramente el tornillo del punto de mira (aplique un par de 1 Nm).

5.2 Empuñadura

Gracias a los tres cargadores de distintas longitudes disponibles para cada uno de los calibres (5.2 Fig. 1), es posible ajustar la longitud del armazón de la PPS para adaptarlo a manos de todos los tamaños.



5.2 Fig. 1

EN

DE

FR

ES

IT

TU

PISTOLA PPS M2

ESPECIFICACIONES TÉCNICAS

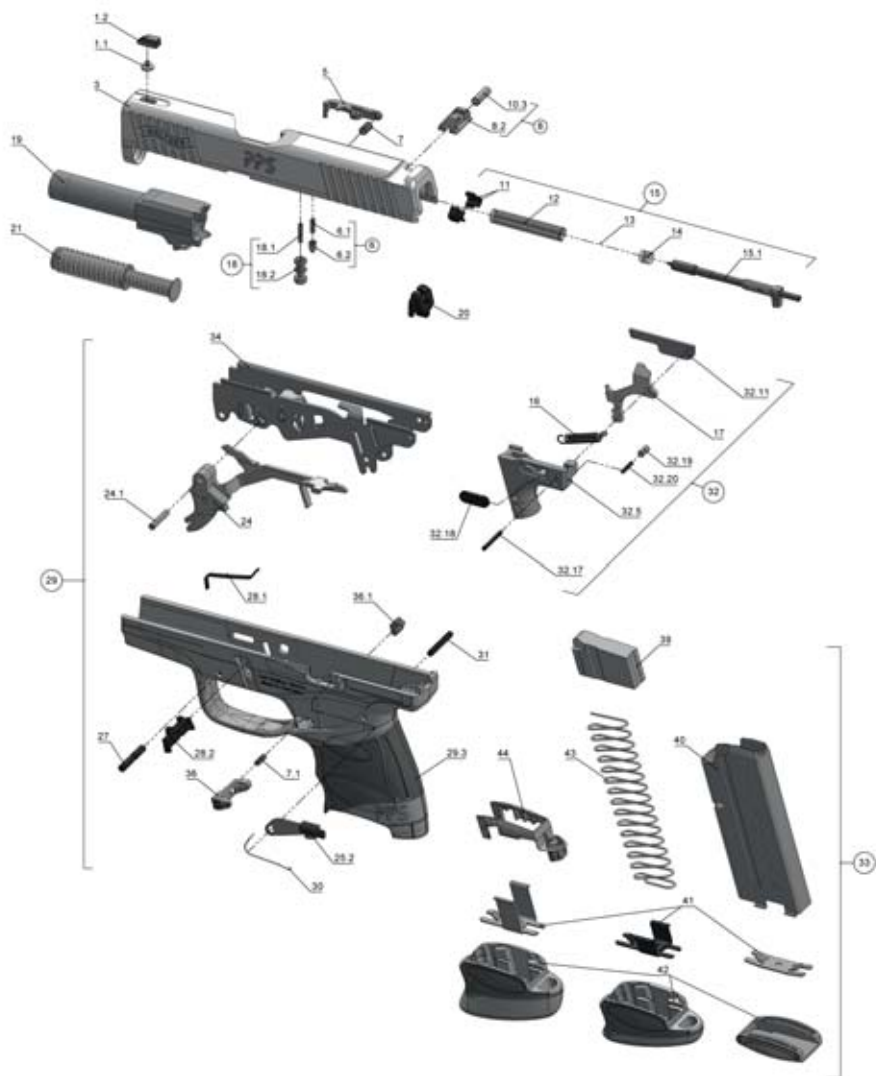
6 ESPECIFICACIONES TÉCNICAS

| Calibre | 9 mm x 19 / 9 mm x 21 | .40 S&W |
|--|--|---------------------------------|
| Capacidad del cargador | 6 (7 / 8) cartuchos | 5 (6 / 7) cartuchos |
| Altura (mm) | 110 (127 / 134) | 110 (127 / 134) |
| Longitud | 161 mm | 161 mm |
| Anchura (mm) | 27 (corredera 23) | 27 (corredera 23) |
| Longitud del cañón | 81 mm | 81 mm |
| Paso de estrías | 250 mm estriado a la derecha | 406 mm estriado a la derecha |
| Radio de miras | 136 mm | 136 mm |
| Peso con cargador vacío (g) | 600 (610 / 620) | 590 (600 / 610) |
| Peso, cargador vacío (g) | 55 (65 / 75) | 55 (65 / 75) |
| Energía en la boca del cañón E ₃ , Peso de la bala | 395 J 8 g | 470 J 11,5 g |
| Mecanismo de operación | Disparo a cerrojo cerrado con principio de retroceso corto | |
| Mecanismo de control de disparo | Pistola semiautomática disparada por percutor | |
| Acción del gatillo | Quick Defense Trigger | |
| Fuerza/Recorrido del gatillo | 27 N / 7 mm (idéntico para todos los disparos) | |

Datos basados en cifras promedio. Los valores reales pueden variar.

Los datos indicados entre paréntesis se refieren a los cargadores medio y grande

7. DESPIEZADO



EN
DE
FR
ES
IT
TU

PISTOLA PPS M2

LISTA DE PIEZAS

8. LISTA DE PIEZAS

| Nº | Designación | Nº | Designación |
|------|--------------------------------------|-------|--|
| 1.1 | Tornillo del punto de mira | 19 | Cañón, 9 mm x 19 ET |
| 1.2 | Punto de mira | 19 | Cañón, 9 mm x 21 ET |
| 3 | Corredera, 9 mm x 19 ET | 19 | Cañón, .40 S&W ET |
| 3 | Corredera, .40 S&W ET | 20 | Tapa de extremo de corredera |
| 5 | Extractor | 21 | Conjunto de guía del resorte de recuperación |
| 6 | Conjunto de émbolo del extractor | 24 | Conjunto del gatillo |
| 6.1 | Émbolo del extractor | 24.1 | Pasador del percutor |
| 6.2 | Resorte, émbolo del extractor | 25.2 | Palanca de retención |
| 7 | Resorte, extractor 9 mm x 19 | 27 | Pasador de desmontaje |
| 7 | Resorte, extractor .40 S&W | 28.1 | Resorte de bloqueo del cañón |
| 7.1 | Resorte, retén del cargador | 28.2 | Bloqueo del cañón |
| 8 | Conjunto de alza | 29.3 | Armazón |
| 8.2 | Alza | 30 | Resorte, palanca de retención |
| 10.3 | Pasador de alza | 31 | Pasador 3 x 21 |
| 11 | Tapa, resorte del percutor | 32 | Conjunto de alojamiento del fiador |
| 12 | Resorte del percutor | 32.5 | Alojamiento del fiador |
| 13 | Guía del percutor | 32.11 | Soporte |
| 14 | Resorte de retorno del percutor | 32.17 | Pasador de resorte de retorno del gatillo |
| 15 | Conjunto del percutor | 32.18 | Placa de tope |
| 15.1 | Percutor | 32.19 | Émbolo de leva |
| 16 | Resorte del gatillo | 32.20 | Resorte, leva 9 mm x 19 |
| 17 | Leva | 32.20 | Resorte, leva .40 S&W |
| 18 | Conjunto de seguro del percutor 2014 | 32.20 | Resorte, leva .40 S&W |
| 18.1 | Resorte, seguro del percutor | 33 | Cargador (pequeño), 9 mm x 19 |
| 18.2 | Perno del seguro del percutor | | |

LISTA DE PIEZAS

| Nº | Designación | Nº | Designación |
|------|--|----|---|
| 33 | Cargador (pequeño), .40 S&W | 41 | Retén de tapa de cargador (medio) |
| 33 | Cargador (medio), 9 mm x 19 | 41 | Retén de tapa de cargador (grande) |
| 33 | Cargador (medio), .40 S&W | 42 | Tapa de cargador (pequeño) |
| 33 | Cargador (grande), 9 mm x 19 | 42 | Tapa de cargador (medio) |
| 33 | Cargador (grande), .40 S&W | 42 | Tapa de cargador (grande) |
| 34 | Armazón interior | 43 | Muelle del cargador, 9 mm x 19 |
| 36 | Retén del cargador | 43 | Muelle del cargador, .40 S&W para tapas pequeñas y medias |
| 36.1 | Tapa, retén del cargador | 43 | Muelle del cargador, .40 S&W para tapas grandes |
| 39 | Elevador, 9 mm x 19 | 44 | Protector |
| 39 | Elevador, .40 S&W | | |
| 40 | Cuerpo del cargador (grande) 9 mm x 19 | | |
| 40 | Cuerpo del cargador, .40 S&W | | |

Nota:

Las piezas de los modelos 9 mm x 19 y 9 mm x 21 son iguales a menos que se indique lo contrario. El armazón interior (34) y el armazón (29.3) no pueden obtenerse por separado. Solo pueden adquirirse juntos como un conjunto de armazón, ET (29).

ANALTHE

WALTHER®

ISTRUZIONI PER L'USO

PISTOLA PPS M2

EN

DE

FR

ES

IT

TU



PRIMA DI USARE L'ARMA DA FUOCO LEGGERE ACCURATAMENTE LE ISTRUZIONI E LE AVVERTENZE QUI RIPORTATE.

PISTOLA PPS M2



NOTA

Il presente manuale si riferisce all'utilizzo della pistola da parte di civili. Le istruzioni per l'uso da parte delle forze dell'ordine possono differire da quanto descritto nel presente manuale. Nelle presenti istruzioni d'uso la posizione considerata della pistola è quella corrispondente alla posizione di tiro normale, cioè con la canna in posizione orizzontale, l'impugnatura diretta verso il basso e la bocca orientata in avanti. Le indicazioni quali "in alto", "in basso", "a destra", "a sinistra" nonché "in avanti" e "indietro" si riferiscono alla vista del tiratore con la pistola in posizione di tiro. Le spiegazioni contenute nel presente manuale si basano sull'utilizzo della pistola con la mano destra. Gli utilizzatori mancini dovranno operare al contrario.

Tenete sempre presente: Le figure contenute nelle presenti istruzioni per l'uso hanno lo scopo di illustrare le modalità d'uso e possono differire dalle armi reali.

INDICE

| | |
|--|-----------|
| 1 Norme di sicurezza | 4 |
| 2 Descrizione del prodotto | 5 |
| 2.1 Descrizione funzionale | 5 |
| 2.2 Munizioni | 6 |
| 2.3 Elementi di comando e funzionali | 7 |
| 3 Uso della pistola | 10 |
| 3.1 Controllo della pistola | 10 |
| 3.2 Caricamento | 11 |
| 3.3 Sparo | 12 |
| 3.4 Sostituzione del caricatore | 12 |
| 3.5 Scaricamento della pistola | 13 |
| 3.6 Procedura in caso di sparo fallito | 14 |
| 4 Smontaggio, pulizia, lubrificazione e manutenzione | 14 |
| 4.1 Componenti principali | 14 |
| 4.2 Caricatore | 16 |
| 4.3 Pulizia | 18 |
| 4.4 Lubrificazione | 19 |
| 4.5 Preparazione per la conservazione | 19 |
| 5 Regolazione della pistola secondo le esigenze dell'utilizzatore | 20 |
| 5.1 Dispositivo di mira | 20 |
| 5.2 Impugnatura | 21 |
| 6 Caratteristiche tecniche | 22 |
| 7 Disegno esploso | 23 |
| 8 Distinta dei componenti | 24 |

PISTOLA PPS M2

NORME DI SICUREZZA

1. NORME DI SICUREZZA

- Prima di utilizzare la pistola, leggete attentamente le presenti istruzioni per l'uso. Non utilizzate la pistola prima di aver perfettamente compreso il contenuto del manuale.
- Ogni spiegazione relativa alle parti componenti della pistola e al suo funzionamento normalmente, nelle presenti istruzioni per l'uso, è menzionata una sola volta. Per maggiori dettagli, sono comunque riportate indicazioni di riferimento ad altri capitoli.
- Prima di fare il controllo di sicurezza e prima di sparare, come pure in caso di malfunzionamenti e prima di procedere alla pulizia, bisogna accertarsi sempre che l'arma sia scarica (caricatore rimosso dalla pistola e camera di cartuccia libera), che la canna sia pulita e non presenti ostruzioni di alcun genere, e che il caricatore sia vuoto.
- Conservate la pistola e munizioni in luoghi separati e sicuri ai quali non devono avere accesso le persone non autorizzate, in particolare i bambini.
- Anche se è scarica, trattate sempre l'arma come se fosse carica. Tenete l'arma sempre in modo tale da non mettere in pericolo né voi stessi né altre persone. Tenete l'arma puntata sempre in una direzione sicura. Non puntate mai la pistola contro persone od oggetti se non intendete sparare, indipendentemente dal fatto che la pistola sia carica o meno. Tenete sempre presente che anche l'arma più sicura può essere potenziale causa di gravi pericoli se maneggiata non correttamente.
- Attenzione: Non tenete il dito sul grilletto, a meno che non intendiate far partire il colpo.
- In generale, il dito deve essere mantenuto all'esterno della guardia. Il grilletto deve essere azionato soltanto se la pistola è puntata su un bersaglio.
- Non esercitate mai forza durante l'utilizzo, il controllo, lo smontaggio, la pulizia o il montaggio della pistola. Il maneggio non corretto pregiudicherà la funzionalità e la sicurezza della pistola. Non smontate mai l'arma in misura superiore a quanto descritto nelle presenti istruzioni per l'uso.
- La sicurezza ed il corretto funzionamento sono garantiti soltanto se la pistola e le munizioni sono in perfette condizioni d'esercizio.
- Fate controllare la pistola da un armaiolo qualificato se sospettate che possa essere stata danneggiata, ad esempio se è caduta, oppure se presenta delle tracce di corrosione, ecc.
- Indossate sempre occhiali e cuffie di protezione adeguati e specifici per l'uso con le armi da fuoco. Accertatevi che anche le persone che si trovano nelle vicinanze indossino gli stessi dispositivi di protezione.
- La vostra arma è stata progettata per l'uso con munizioni di tipo e calibro specifico. Il calibro corretto è indicato sulla vostra arma. Usate esclusivamente le munizioni corrispondenti al calibro dell'arma e alle prescrizioni della Commission Internationale Permanente pour l'Epreuve des Armes à Feu portatives (C.I.P.) o dello Sporting Arms and Ammunition Manufacturers' Institute (SAAMI). Se vengono utilizzate delle munizioni ricaricate, fate attenzione a non superare la pressione del gas ammessa secondo le

DESCRIZIONE DEL PRODOTTO

norme vigenti. L'eventuale pressione eccessiva può danneggiare o perfino distruggere l'arma. Le munizioni con velocità di espulsione e pressioni del gas superiori a quelle per le quali la pistola è stata progettata espongono l'arma a sollecitazioni supplementari che

- schwerwiegenden Beschädigungen an der Schusswaffe führen.
- potrebbero comportare la sua usura eccessiva oppure danneggiarla gravemente.
- Prima di caricare la pistola, eliminate sempre il grasso o l'olio in eccesso e accertatevi che la canna sia pulita e non presenti ostruzioni di alcun genere.
- Non alterate, modificate o sostituite alcuna parte dell'arma in misura superiore a quanto descritto nelle presenti istruzioni. Gli interventi di manutenzione o assistenza devono essere eseguiti da WALTHER o da un armaiolo qualificato.
- Interventi e modifiche non appropriati o non autorizzati sui componenti possono pregiudicare la sicurezza e l'affidabilità della pistola, causando ferite gravi e addirittura la morte.

EN

DE

FR

ES

IT

TU

ESCLUSIONE DELLA RESPONSABILITÀ

Durante l'uso di un'arma è indispensabile la massima precauzione. La mancata precauzione può causare, pur involontariamente, danni materiali gravi, lesioni personali o anche il decesso. WALTHER declina qualsiasi responsabilità a fronte di danni imputabili all'uso improprio della pistola o all'inosservanza delle vigenti norme di legge. Quanto predetto vale anche a fronte di danni imputabili alla mancata osservanza delle presenti istruzioni per l'uso, alla sostituzione non autorizzata di componenti, o a qualsiasi intervento sulla pistola non espressamente previsto dalle presenti istruzioni per l'uso.

2 DESCRIZIONE DEL PRODOTTO

2.1 Descrizione funzionale

Il sistema di chiusura della pistola PPS utilizza il principio a corto rinculo di canna. Tirando il grilletto, il percussore viene rilasciato e viene sparato il colpo. Il percussore agisce sulla capsula d'innescio facendo esplodere la carica di lancio. Il proiettile viene espulso attraverso la canna sotto l'effetto della pressione del gas. Contemporaneamente un impulso viene impartito al gruppo carrello-otturatore accoppiato geometricamente con la canna. Dopo un breve tratto comune di indietro della canna e del carrello-otturatore, la canna viene diretta verso il basso e sbloccata. La canna rimane ferma mentre il carrello-otturatore continua il suo movimento all'indietro fino al punto di fine corsa, agendo contro la forza della molla di recupero, per poter espellere il bossolo verso destra. Sotto l'azione della molla di recupero il carrello-otturatore viene spinto nuovamente in avanti per sfilare una nuova cartuccia dal caricatore e introdurla nella camera. Poco prima della fine della corsa in avanti del carrello-otturatore, la canna inclinata in basso viene spinta verso l'alto e in avanti e bloccata nella finestra di espulsione del carrello-otturatore. Il tiratore toglie il dito dal grilletto, e la pistola è pronta per sparare un altro colpo.

PISTOLA PPS M2

DESCRIZIONE DEL PRODOTTO

2.2 Munizioni

AVVERTENZA

Utilizzate esclusivamente le munizioni specificamente previste per questa pistola. Le munizioni non idonee possono causare malfunzionamenti e colpi mancati, come pure il danneggiamento e perfino la distruzione della pistola a causa dell'eccessiva pressione di gas.

Sul lato destro della canna è specificato il tipo di munizioni indicato per la vostra PPS (vedere 2.3 Fig. 1).

Utilizzate soltanto cartucce conformi al tipo di munizioni indicate, con una pressione del gas corrispondente alle norme C.I.P o SAAMI, oppure certificate secondo la "Technische Richtlinie Patrone 9mm x 19 schadstoffreduziert" (direttiva tecnica per cartucce 9mm x 19 con impatto ambientale ridotto) per l'uso con le armi delle forze d'ordine.

Controllate le munizioni prima dell'utilizzo.

Usate soltanto munizioni in condizioni perfette. La pistola e le munizioni costituiscono un insieme e devono adattarsi reciprocamente. La loro affidabilità dipende da ciascuno dei componenti. Le diverse combinazioni formate dalla velocità di espulsione, dal peso del proiettile e dal peso dell'arma influiscono sul rinculo avvertito al momento dello sparo. Un rinculo eccessivo della pistola potrebbe risultare fastidioso per alcuni tiratori.



2.2 Fig. 1

Esempi:

- **Peso dell'arma:** un peso ridotto della pistola produce un rinculo avvertito come «più intenso».
- **Peso del proiettile:** più il proiettile è pesante, più il rinculo è intenso.
- **Velocità del proiettile:** una maggiore velocità di espulsione amplifica il rinculo.

Per abituarsi a un rinculo più intenso, si possono adottare i seguenti accorgimenti:

- Tenere la pistola con due mani al momento del tiro.
- Cominciare a sparare con le munizioni caratterizzate da velocità di espulsione inferiore e da un peso più basso, fra quelle adatte per la pistola.
- Farsi consigliare da uno specialista sulle munizioni più deboli, la velocità di espulsione inferiore e il peso del proiettile più leggero adatti per la pistola.
- Modificare eventualmente la configurazione/composizione dell'impugnatura della pistola per adattarla alle proprie esigenze.

DESCRIZIONE DEL PRODOTTO

2.3 Elementi di comando e funzionali



- | | |
|--|---------------------------|
| 1 Carrello-otturatore | 8 Caricatore |
| 2 Mirino | 9 Impugnatura |
| 3 Sicura del carrello | 10 Ritegno del caricatore |
| 4 Fermo leva arresto carrello-otturatore | 11 Grilletto |
| 5 Scanalature trasversali | 12 Guardia del grilletto |
| 6 Leva arresto carrello-otturatore | 13 Fusto |
| 7 Tacca di mira | |

- | |
|-------------------------------|
| 1 Asta guidamolla di recupero |
| 2 Vivo di volata |
| 3 Designazione del modello |
| 4 Tappo otturatore |
| 5 Estrattore |
| 6 Finestra di espulsione |
| 7 Canna |
| 8 Numero di serie |



EN
DE
FR
ES
IT
TU

PISTOLA PPS M2

DESCRIZIONE DEL PRODOTTO

2.4.1 Indicatore di carica

Le pistole PPS dispongono di un indicatore di carica che assume la forma di una cavità posta in alto, all'estremità posteriore della finestra di espulsione (2.4.1 Fig. 1).

Guardate nella cavità per vedere se una cartuccia si trova in camera. In caso affermativo risulta individuabile il fondo cartuccia che normalmente possiede un colore ottone o argento.



2.4.1. Fig. 1

ATTENZIONE

Maneggiate sempre la vostra arma come se fosse carica e pronta a sparare non appena verrà azionato il grilletto.

Non fidatevi unicamente dell'indicatore di carica. Il metodo di controllo più affidabile è guardare dentro la camera di cartuccia. A questo scopo, togliere il caricatore, estrarre il carrello-otturatore fino all'arresto e bloccarlo nella posizione aperta.

ATTENZIONE

L'indicatore di carica permette di sapere se nella camera di cartuccia è alloggiata una cartuccia o meno,

ma vi sono alcuni fattori, come la luce, l'imbrattamento della pistola, macchie della munizione e altri fattori che possono compromettere l'individuazione affidabile della cartuccia. A questo scopo, togliete il caricatore, estraete il carrello-otturatore fino all'arresto e bloccatelo con l'apposita leva d'arresto. Ispezionate la camera di cartuccia. La camera di cartuccia deve essere vuota.

2.4.2 Ritegno del caricatore

Il ritegno del caricatore è situato lateralmente, sull'impugnatura.

Utilizzo:

Le dita devono essere all'esterno della guardia e lontane dal grilletto. Premete il ritegno del caricatore e rimuovete il caricatore (2.4.2 Fig. 1).



2.4.2. Fig. 1

DESCRIZIONE DEL PRODOTTO

2.4.3 Leva arresto carrello-otturatore

Blocco del carrello-otturatore in posizione aperta:

Le dita devono essere all'esterno della guardia e lontane dal grilletto. Rimuovete il caricatore ed afferrare il carrello-otturatore nella parte posteriore, poggiando le dita sulle scanalature trasversali, e tiratelo indietro energicamente fino all'arresto. Se nella camera c'è una cartuccia, essa verrà estratta dalla camera ed espulsa.



2.4.3. Fig. 1

Tenendo fermo il carrello-otturatore nella posizione più arretrata, spostate in alto la leva d'arresto e fate avanzare lentamente il carrello-otturatore finché esso verrà trattenuto dalla leva (2.4.3. Fig. 1).

Rilascio della leva arresto carrello-otturatore:

Premete la leva arresto carrello-otturatore con il pollice della mano che impugna l'arma per rilasciare l'otturatore e farlo avanzare completamente. Per un funzionamento più agevole della leva arresto carrello-otturatore, tirate all'indietro l'otturatore premendo contemporaneamente la leva arresto come sopra descritto.

2.4.4 Caricatore

Sono disponibili caricatori di tre misure diverse. La scelta del caricatore consente di adattare la lunghezza dell'impugnatura della pistola alle esigenze di tiro. È possibile scegliere fra fondello piatto, prolunga media o prolunga grande:

| Calibro | 9 mm x 19 9 mm x 21 | .40 S&W |
|--|------------------------|---------|
| Caricatore con fondello piatto (Small) | 6 | 5 |
| Caricatore con fondello medio (Medium) | 7 | 6 |
| Caricatore con fondello grande (Large) | 8 | 7 |

La capacità del caricatore dipende dalla misura del fondello del caricatore.

Il corpo del caricatore e i fori in esso previsti per l'indicazione della carica sono uguali in tutti i caricatori. Attraverso le aperture previste nel corpo del caricatore è possibile verificarne lo stato di caricamento (2.4.4. Fig. 1).



2.4.4. Fig. 1

EN

DE

FR

ES

IT

TU

PISTOLA PPS M2

USO DELLA PISTOLA

3 USO DELLA PISTOLA

3.1 Controllo della pistola

- Prima del controllo è necessario accertarsi che la vostra PPS sia scarica: Puntate la pistola in una direzione sicura. Le dita devono essere all'esterno della guardia e lontane dal grilletto. Premete il ritegno del caricatore e rimuovete il caricatore (2.5.1 Fig. 1).
- Afferrate con le dita il carrello-otturatore nella parte posteriore sulle scanalature trasversali (3.1 Fig. 2) e tirarlo indietro energicamente fino all'arresto. Se nella camera c'è una cartuccia, essa verrà estratta dalla camera ed espulsa. Non coprite la finestra di espulsione, altrimenti la cartuccia non può essere espulsa come previsto.
- Bloccate il carrello-otturatore in posizione aperta. Mantenendo fermo il carrello-otturatore nella posizione più arretrata, spostate in alto la leva d'arresto e fate avanzare lentamente il carrello-otturatore finché esso verrà trattenuto dalla leva (3.1 Fig. 3).
- Accertatevi che la camera di cartuccia (3.1 Fig. 4) sia scarica e che la canna sia pulita, asciutta e priva di ostruzioni.
- Effettuate sempre questo controllo prima di deporre la PPS, di pulirla, di consegnarla a un'altra persona, di trasportarla o di riparla.



3.1 Fig. 1



3.1 Fig. 2



3.1 Fig. 3



3.1 Fig. 4

ATTENZIONE

Non fidatevi mai esclusivamente della tecnologia. Contribuite alla vostra sicurezza personale maneggiando sempre l'arma in modo prudente. Il rispetto scrupoloso delle regole di sicurezza nel maneggio delle armi fa parte della vostra responsabilità personale.

3.2 Caricamento

3.2.1 Caricamento del caricatore

Attraverso le aperture previste nel corpo del caricatore è possibile verificarne lo stato di caricamento.



3.2.1. Fig. 1



Nota:

Usate esclusivamente caricatori adatti per la vostra pistola. Altri caricatori possono causare malfunzionamenti o un danneggiamento della pistola e del caricatore.

ATTENZIONE

Non tentate mai di inserire più cartucce di quanto specificato per il relativo caricatore. Ciò potrebbe causare malfunzionamenti nell'alimentazione. Non esercitate forza, per non danneggiare il caricatore. Un caricatore o i labbri del caricatore difettosi causano malfunzionamenti, rendendo inutilizzabile la pistola.

Per caricare il caricatore, spingete verso il basso la parte anteriore dell'alimentatore con il fondo della cartuccia e fate scivolare la cartuccia sotto i labbri del caricatore finché il fondo della cartuccia non tocca la parete posteriore del caricatore. Ripetete questa operazione servendovi del fondo della cartuccia successiva per premere, con il pollice dell'altra mano, verso il basso la cartuccia superiore inserita nel caricatore e inserire la nuova cartuccia sotto i labbri del caricatore (3.2.1. Fig. 2).



3.2.1. Fig. 2

3.2.2 Caricamento della pistola

- Controllate la pistola come descritto nella sezione 3.1.
- Puntate la pistola in una direzione sicura. Il dito deve trovarsi all'esterno della guardia e non tocca il grilletto. Inserite il caricatore nel pozzetto finché non s'innesta in posizione. Per verificare che il caricatore sia innestato in modo sicuro, tirate verso il basso il fondo del caricatore. Il caricatore non deve muoversi.
- Tirate indietro il carrello-otturatore e fatelo tornare rapidamente in avanti.

EN
DE
FR
ES
IT
TU

PISTOLA PPS M2

USO DELLA PISTOLA

ATTENZIONE

Inserite le cartucce nella camera di cartuccia soltanto con l'ausilio del caricatore. Non tentare mai di introdurre individualmente delle cartucce nella camera di cartuccia attraverso la finestra di espulsione. Ciò potrebbe causare gravi ferite o perfino la morte dell'utilizzatore della pistola o di altre persone.

AVVERTENZA

Adesso la pistola è carica e pronta per sparare. La pistola e il caricatore sono caricati, e se viene premuto il grilletto l'arma sparerà. Rivolgete sempre la volata della pistola in una direzione sicura e tenete le dita o altri oggetti lontani dal grilletto e all'esterno della guardia. Non lasciate mai incustodita un'arma carica.

3.3 Sparo

- Rivolgete la volata della pistola in una direzione sicura e tenete le dita lontane dal grilletto e all'esterno della guardia finché non siete pronti a sparare.
- La forma ergonomica dell'impugnatura della PPS permette all'utilizzatore una presa quanto più alta possibile. Ciò consente un elevato livello di controllo della pistola al momento dello sparo.
- Afferrando saldamente l'impugnatura della pistola, appoggiate il dito sulla facciata del grilletto e tirate quest'ultimo con forza crescente fino a far partire il colpo.
- Durante lo sparo, l'otturatore rincula ed espelle il bossolo della cartuccia. In seguito l'otturatore ritorna in avanti e introduce nella camera di cartuccia la cartuccia successiva dal caricatore.
- Dopo lo sparo, allontanate il dito dal grilletto e lasciatelo all'esterno della guardia finché non siate pronti a sparare nuovamente.
- Questa procedura può essere ripetuta fino all'ultimo colpo.
- Dopo l'ultimo colpo, l'alimentatore del caricatore aziona la leva d'arresto e il carrello-otturatore viene bloccato in posizione aperta.

AVVERTENZA

Indossate cuffie antirumore e occhiali di protezione. Al momento dello sparo o dell'azionamento della leva d'arresto, il carrello-otturatore si sposta in senso longitudinale con grande velocità ed esercitando una forza considerevole. Per evitare lesioni, fate attenzione che nessuna parte del corpo si trovi sulla traiettoria dell'otturatore.

3.4. Sostituzione del caricatore

Una volta sparato l'ultimo colpo, l'alimentatore del caricatore agisce sulla leva d'arresto, bloccando il carrello-otturatore in posizione aperta.

USO DELLA PISTOLA

- Premete il ritegno del caricatore ed estraete il caricatore.
- Inserite un caricatore nuovo.
- Tirate indietro il carrello-otturatore e fatelo tornare rapidamente in avanti.

AVVERTENZA

La pistola è nuovamente pronta per sparare. Con la canna sempre rivolta in una direzione sicura, tenete il dito lontano dal grilletto e all'esterno della guardia finché non siete pronti a far partire il prossimo colpo.

3.5 Scaricamento della pistola

- Puntate la pistola in una direzione sicura. Le dita devono essere all'esterno della guardia e lontane dal grilletto. Premete il ritegno del caricatore e rimuovete il caricatore (3.5 Fig. 1).
- Afferrate il carrello-otturatore da dietro sulle scanalature trasversali (3.5 Fig. 2) e tiratelo energicamente all'indietro fino all'arresto. Se nella camera di cartuccia è alloggiata una cartuccia, essa verrà estratta ed espulsa.
- Non coprite la finestra di espulsione, altrimenti la cartuccia non può essere espulsa come previsto.
- Bloccate il carrello-otturatore in posizione aperta: Mantenendo fermo il carrello-otturatore nella posizione più arretrata, spostate in alto la leva d'arresto e fate avanzare lentamente il carrello-otturatore finché esso verrà trattenuto dalla leva (3.5 Fig. 3).
- Ispezionate la camera di cartuccia per verificare che sia vuota. La camera di cartuccia deve essere vuota. Controllate il pozzetto del caricatore. Il pozzetto deve essere vuoto. Per scaricare il caricatore, tenetelo in modo che i proiettili siano rivolti in direzione opposta alla vostra posizione. Spingete in avanti ogni cartuccia per farla uscire dal caricatore.



3.5 Fig. 1



3.5 Fig. 2



3.5 Fig. 3

AVVERTENZA

Ogni qualvolta il carrello-otturatore viene chiuso mentre nella pistola si trova un caricatore carico, una cartuccia viene mandata alla camera di cartuccia e la pistola è di nuovo pronta a sparare.

EN

DE

FR

ES

IT

TU

PISTOLA PPS M2

SMONTAGGIO, PULIZIA, LUBRIFICAZIONE E MANUTENZIONE

3.6 Procedura in caso di sparo fallito

- In caso di sparo fallito, attendete 10 secondi, mantenendo sempre la volata della pistola rivolta in una direzione sicura.
- Scaricate la pistola come descritto nella sezione 3.5. “Scaricamento della pistola”.
- A questo punto è possibile effettuare un controllo visivo della camera di cartuccia e della canna. La camera non deve contenere cartucce e la canna non deve presentare ostruzioni.

4 SMONTAGGIO, PULIZIA, LUBRIFICAZIONE E MANUTENZIONE

ATTENZIONE

Prima di ogni intervento accertatevi che la pistola e il caricatore siano scarichi.

4.1 Componenti principali

AVVERTENZA

Per completare lo smontaggio è necessario azionare il grilletto. Se non avete scaricato correttamente la vostra pistola e se un proiettile è rimasto in camera, il colpo potrebbe partire e causare gravi ferite ovvero la morte a voi e ad altri, oltre a provocare danni materiali. Per questo motivo è indispensabile ispezionare attentamente la camera e il pozzetto prima di azionare il grilletto. La camera di cartuccia e il pozzetto del caricatore devono essere vuoti.

4.1.1 Smontaggio

- Scaricate la pistola: Rimuovete il caricatore e bloccate il carrello-otturatore in posizione aperta. La camera di cartuccia e il pozzetto del caricatore devono essere vuoti.
- Chiudere il carrello-otturatore: tirate indietro il carrello-otturatore e farlo tornare rapidamente in avanti.
- Puntate la volata in una direzione sicura e disarmate il meccanismo percussore azionando il grilletto.
- Afferrare la sicura del carrello da sopra, su entrambi i lati, e premetela verso il basso (4.1.1. Fig. 1).
- Fate avanzare il carrello-otturatore e toglietelo dal fusto.
- Rimuovete il gruppo guidamolla di recupero agendo contro l'azione della molla stessa (4.1.1. Fig. 2).



4.1.1. Fig. 1



4.1.1. Fig. 2

- Togliete la canna dal carrello-otturatore.
- In 4.1.1. Fig. 3 sono illustrati i componenti principali della pistola smontata.



4.1.1. Fig. 3

4.1.2 Rimontaggio

- Tenete il carrello-otturatore con la parte inferiore rivolta verso l'alto. Inserite la canna come illustrato nella Fig. 1.
- Inserite il gruppo guidamolla di recupero: Allineate il gruppo guidamolla di recupero in direzione della volata ed inserite l'estremità piccola dell'asta guidamolla nell'alloggiamento molla del carrello-otturatore e l'estremità posteriore dell'asta nell'apposito incavo previsto sulla canna, procedendo contro la pressione della molla di recupero (4.1.2. Fig. 1 e 2).



4.1.2 Fig. 1



4.1.2 Fig. 2



Nota:

È normale che il gruppo guidamolla di recupero si pieghi leggermente quando viene installato.

- Spingere l'otturatore dal davanti nelle guide del fusto (4.1.2. Fig. 3). Tirate indietro l'otturatore fino all'arresto e fatelo avanzare completamente in posizione bloccata.



4.1.2 Fig. 3

PISTOLA PPS M2

SMONTAGGIO, PULIZIA, LUBRIFICAZIONE E MANUTENZIONE

4.2 Caricatore

4.2.1 Smontaggio

La molla del caricatore è sotto pressione. Al momento dello smontaggio del caricatore potrebbero essere espulsi dei particolari. Procedete con cautela allo smontaggio del caricatore. Tenete fermo il ritegno del fondello mentre staccate il fondello del caricatore, e rimuovete con cautela dal corpo del caricatore il ritegno del fondello e la molla del caricatore.

1. Nei caricatori con estensione a becco sul fondello del caricatore: Sollevate la Dust Cover, per es. con l'ausilio di un piccolo cacciavite, davanti a sinistra, poi a destra con cautela agendo sul fondello del caricatore, e infine dietro. (4.2.1. Fig. 1 e 2). Rimuovete poi la Dust Cover estraendola verso l'alto dal fondello del caricatore. (4.2.1. Fig. 3)
2. Premete il ritegno del fondello con un punzone da 4 mm verso l'interno nel corpo del caricatore, facendolo passare attraverso il foro previsto nel fondello.
3. Nei caricatori con estensione a becco sul fondello del caricatore: Durante questa operazione allineate la prolunga laterale del ritegno del fondello parallela al dorso del corpo del caricatore (4.2.1 Fig. 4).
4. Spingete in avanti il fondello e staccatelo dal corpo del caricatore, continuando a premere il ritegno del fondello contro l'azione della molla del caricatore. Rimuovete il ritegno del fondello e la molla del caricatore.
5. Scuotete leggermente l'alimentatore per farlo uscire dal corpo del caricatore.



4.2.1 Fig. 1



4.2.1 Fig. 2



4.2.1 Fig. 3



4.2.1 Fig. 4



4.2.1 Fig. 5

4.2.2 Montaggio

1. Inserite nel corpo del caricatore dapprima l'alimentatore e poi la molla del caricatore con il ritegno del fondello. Verificate il corretto allineamento dei pezzi. I pezzi devono essere montati senza esercitare forza.
2. Premendo il ritegno del fondello nel corpo del caricatore, spingete il fondello del caricatore dal davanti finché non si innesti con un clic udibile (4.2.2 Fig. 1).
Nei caricatori con estensione a becco sul fondello del caricatore: Durante questa operazione allineate la prolunga laterale del ritegno del fondello parallela al dorso del caricatore (4.2.2 Fig. 2).
3. Nei caricatori con estensione a becco sul fondello del caricatore: Tenete premuta verso il basso la Dust Cover con i perni e inseritela da dietro (4.2.2 Fig. 3, passo 1) sul corpo del caricatore. Premete la Dust Cover con cautela e in modo regolare da sopra nel fondello del caricatore. (4.2.2 Fig. 3, passo 2).



4.2.2 Fig. 1



4.2.2 Fig. 2



4.2.2 Fig. 3

EN

DE

FR

ES

IT

TU

PISTOLA PPS M2

SMONTAGGIO, PULIZIA, LUBRIFICAZIONE E MANUTENZIONE

4.3 Pulizia

ATTENZIONE

Prima di ogni intervento di pulizia occorre accertarsi che la pistola e il caricatore siano scarichi.

La pistola deve essere pulita prima di essere utilizzata per la prima volta. Per proteggere la pistola dalla corrosione è stato utilizzato dell'olio oppure un mezzo protettivo. Prima di usare la pistola, rimuovere con un panno morbido ogni eccesso di olio fuoriuscito dalla canna, dalla camera di cartuccia e sulle superfici esterne.

La vostra pistola è uno strumento di precisione. Perché possa funzionare correttamente deve essere sottoposta a una regolare manutenzione.

La pistola deve essere pulita dopo ogni utilizzo oppure se è stata esposta a condizioni climatiche estreme.

Smontate i componenti principali della pistola (vedere cap. 4.1.).

Pulite la canna con una spazzola e un solvente per canne, iniziando sempre dal lato della camera di cartuccia. Rimuovete il piombo e altri residui dalla canna, servendovi di una spazzola di ottone. La canna e la camera devono essere puliti.

Strofinare le superfici esterne della canna con un panno e con delle bacchette di cotone. Con una spazzola ed eventualmente con olio specifico per armi rimuovete tutti i depositi dal castello, dalla canna, dal carrello-otturatore, dall'estrattore, dal fondo del percussore e da tutte le altre zone sporche. Dopo la pulizia, applicate un sottile strato di olio per armi sulle superfici metalliche esterne.

Se la pistola deve essere utilizzata o conservata in un ambiente freddo, usare un olio per armi raccomandato per l'impiego a basse temperature

AVVERTENZA

Seguite sempre le istruzioni d'uso fornite con il detergente. Alcuni prodotti detergenti possono danneggiare

la pistola. Non lasciate agire troppo a lungo i solventi ed evitate la pulizia prolungata in un bagno ad ultrasuoni a temperature superiori a 50°C. Utilizzate esclusivamente detergenti e oli privi di resine e acidi, raccomandati specificamente per la manutenzione delle armi. Per la pulizia non devono essere utilizzate soluzioni alcaline e contenenti ammoniac.

4.4 Lubrificazione

Dopo avere pulito la PPS, applicare un sottile strato di olio per armi sulle parti metalliche esterne e sui pezzi funzionali. Utilizzate esclusivamente oli per armi privi di resine e acidi. Fate attenzione a non lubrificare più del necessario. Se si formano delle gocce d'olio oppure se l'olio fuoriesce dalla pistola, significa che è stata applicata una quantità di olio eccessiva. Un eccesso di olio favorisce la concentrazione di sporco e di residui di fumo all'interno della pistola che ne compromettono il funzionamento. Non introdurre olio nel canale del percussore (4.6. Fig. 1).

- **Canna:** Con un panno applicare un leggero strato di olio per armi di buona qualità su tutte le superfici metalliche esterne e sulla superficie di contatto fra canna e fusto.
- **Fusto:** Applicare una goccia d'olio sulle guide del carrello-otturatore (A, B e C) e sull'asta del grilletto (D) (4.4 Fig. 1).
- **Carrello-otturatore:** Applicare una goccia d'olio sulla sicura del percussore (E) e sul nottolino d'arresto (F) (4.4 Fig. 2).
- **Caricatore:** Applicare un leggero strato di olio per armi di buona qualità sulla parte esterna del corpo del caricatore.



4.4 Fig. 1



4.4 Fig. 2

4.5 Preparazione per la conservazione

Rispettate tutte le leggi che regolamentano la conservazione di armi da fuoco. È necessario conoscere tutte le leggi locali, regionali e statali riguardanti la conservazione sicura di armi e munizioni.

Non conservate la pistola in un materiale che attiri o trattenga l'umidità (ad esempio cuoio o stracci spessi). Se la pistola deve essere conservata per un periodo prolungato, proteggete la canna, la camera di cartuccia e i pezzi interni con olio per armi di alta qualità o con un agente protettivo specifico per armi. Le parti esterne, come carrello-otturatore, canna e caricatore, devono essere trattate con un prodotto anticorrosione.

Pulite la PPS prima di riutilizzarla. Durante ogni operazione di pulizia, prestate attenzione anche alle tracce d'usura. In presenza di tracce d'usura inconsuete, fate controllare la pistola da un armaiolo qualificato o dalla WALTHER

EN

DE

FR

ES

IT

TU

PISTOLA PPS M2

REGOLAZIONE DELLA PISTOLA SECONDO LE ESIGENZE DELL'UTILIZZATORE

5. REGOLAZIONE DELLA PISTOLA SECONDO LE ESIGENZE

5.1 Organi di mira

Il mirino e la tacca di mira sono intercambiabili. Il punto d'impatto può essere regolato lateralmente e in altezza.

ATTENZIONE

Prima di ogni intervento accertatevi che la pistola e il caricatore siano scarichi.

REGOLAZIONE LATERALE

Per correggere il punto d'impatto, spostare la tacca di mira nella direzione in cui il punto d'impatto deve essere spostato.

Esempio: Volendo spostare la posizione del punto d'impatto a destra, spostare a destra la tacca di mira.



5.1 Fig. 1

ATTENZIONE

La tacca di mira in acciaio originale di WALTHER (5.1 Fig. 1) ha un accoppiamento estremamente stretto.

L'utensile di regolazione della tacca di mira è un accessorio vivamente raccomandato per la regolazione laterale. Non togliete la bussola di serraggio prevista sotto la tacca di mira.

REGOLAZIONE IN ALTEZZA

Per correggere l'altezza della posizione del punto d'impatto, si può sostituire il mirino. Mirini in acciaio con altezze diverse sono disponibili come accessori speciali. Usare un mirino più basso in caso di derivazione verso il basso. Usare invece un mirino più alto in caso di derivazione verso l'alto.

I mirini sono numerati. Più la cifra è alta, più è alto il mirino. Per una distanza di tiro di 25m, lo spostamento del punto d'impatto è di circa 5cm per cifra.

Per sostituire il mirino, smontare il carrello-otturatore dal fusto. Successivamente estrarre il gruppo guidamolla e la canna dal carrello-otturatore. Con un cacciavite, rimuovere la vite del mirino (5.1 Fig. 2) e poi estrarre il mirino.

Il rimontaggio avviene nell'ordine inverso:

Pulite le tracce di olio sulla vite del mirino e sulla filettatura nel mirino. Bloccare la vite del mirino con una colla industriale (per es. Loctite 648). Serrate leggermente la vite del mirino (con una coppia di 1 Nm).



5.1 Fig. 2

5.2 Impugnatura

Per la PPS sono disponibili caricatori in tre lunghezze diverse (5.2 Fig. 1). La scelta del caricatore consente di adattare la lunghezza dell'impugnatura della pistola alla mano dell'utilizzatore.



5.2 Fig. 1

EN

DE

FR

ES

IT

TU

WALTHER

PISTOLA PPS M2

SPECIFICHE TECNICHE

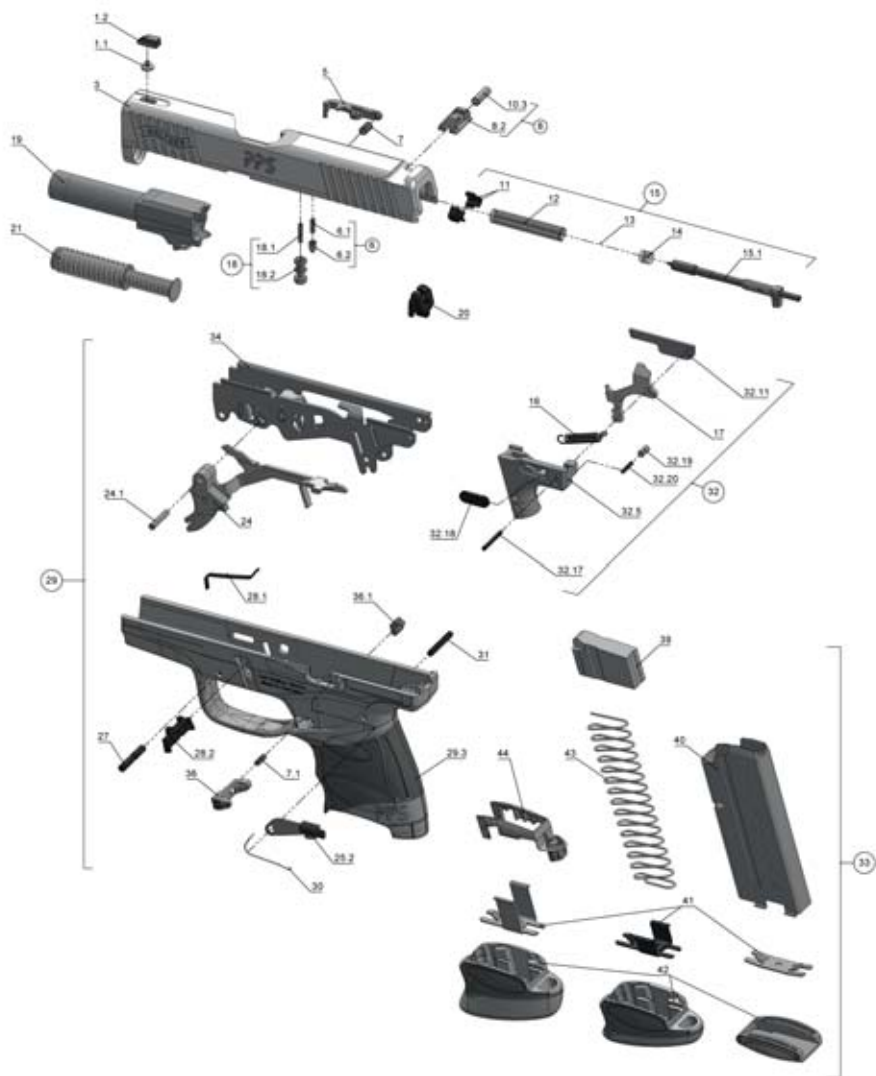
6 SPECIFICHE TECNICHE

| Calibro | 9 mm x 19 / 9 mm x 21 | .40 S&W |
|---|---|------------------------------|
| Capacità caricatore | 6 (7 / 8) cartucce | 5 (6 / 7) cartucce |
| Altezza [mm] | 110 (127 / 134) | 110 (127 / 134) |
| Lunghezza: | 161 mm | 161 mm |
| Larghezza [mm] | 27 (23 carrello-otturatore) | 27 (23 carrello-otturatore) |
| Lunghezza della canna | 81 mm | 81 mm |
| Passo rigatura | 250 mm rigatura destrorsa | 406 mm rigatura destrorsa |
| Larghezza linea di mira | 136 mm | 136 mm |
| Peso, con caricatore vuoto [g] | 600 (610 / 620) | 590 (600 / 610) |
| Peso caricatore vuoto [g] | 55 (65 / 75) | 55 (65 / 75) |
| Energia di espulsione E ₃ , Peso del proiettile | 395 J 8 g | 470 J 11,5 g |
| Bloccaggio | tipo Browning, a corto rinculo di canna | |
| Percussore | Percussore, parzialmente armato | |
| Sistema grilletto | Quick Defense Trigger | |
| Forza / corsa grilletto | 27 N / 7 mm (identica per ogni sparo) | |

Dati basati su cifre medie. I valori effettivi possono variare.

I dati fra parentesi sono validi per caricatore Medium e Large.

7. DISEGNO ESPLOSO



EN
DE
FR
ES
IT
TU

PISTOLA PPS M2

DISTINTA DEI COMPONENTI

8. DISTINTA DEI COMPONENTI

| Pos. n. | Descrizione | Pos. n. | Descrizione |
|---------|--|---------|---|
| 1.1 | Vite del mirino | 18.2 | Sicura del percussore |
| 1.2 | Mirino | 19 | Canna 9mm x 19 ET |
| 3 | Carrello-otturatore 9mmx19 ET | 19 | Canna 9mm x 21 ET |
| 3 | Carrello-otturatore .40 S&W ET | 19 | Canna .40 S&W ET |
| 5 | Estrattore | 20 | Tappo otturatore |
| 6 | Estrattore completo | 21 | Gruppo guidamolla |
| 6.1 | Estrattore | 24 | Grilletto completo |
| 6.2 | Molla estrattore | 24.1 | Asse grilletto |
| 7 | Molla estrattore 9mm x 19 | 25.2 | Leva arresto otturatore |
| 7 | Molla estrattore .40 S&W | 27 | Perno sicura del carrello |
| 7.1 | Molla ritegno del caricatore | 28.1 | Spina per molla sicura del carrello |
| 8 | Tacca di mira completa | 28.2 | Sicura del carrello |
| 8.2 | Tacca di mira | 29 | Fusto completo 9mm x 19 ET |
| 10.3 | Perno tacca di mira | 29 | Fusto completo 9mm x 21 ET |
| 11 | Sospensioni molla | 29 | Carrello-otturatore completo .40 S&W ET |
| 12 | Molla del percussore | 29.3 | Fusto |
| 13 | Boccola di rinforzo | 30 | Molla, leva arresto carrello-otturatore |
| 14 | Molla di richiamo | 31 | Spina elastica 3 x 21 |
| 15 | Percussore completo | 32 | Corpo del grilletto completo |
| 15,1 | Percussore | 32.5 | Corpo del grilletto |
| 16 | Molla di ritorno grilletto | 32.11 | Controsupporto |
| 17 | Guida grilletto | 32.17 | Perno molla di ritorno grilletto |
| 18 | Gruppo sicura sul percussore completo 2014 | 32.18 | Lamiera d'arresto |
| 18.1 | Molla gruppo sicura sul percussore | | |

DISTINA DEI COMPONENTI

| Pos. n. | Descrizione | Pos. n. | Descrizione |
|---------|--------------------------------|---------|--|
| 32.19 | Perno guida grilletto | 40 | Corpo caricatore 9mm x 19 |
| 32.20 | Molla guida grilletto 9mm x 19 | 40 | Corpo caricatore .40 S&W |
| 32.20 | Molla guida grilletto .40 S&W | 41 | Supporto del fondello S |
| 33 | Caricatore S 9mm x 19 | 41 | Supporto del fondello M |
| 33 | Caricatore S .40 S&W | 41 | Supporto del fondello L |
| 33 | Caricatore M 9mm x 19 | 42 | Fondello del caricatore S |
| 33 | Caricatore M .40 S&W | 42 | Fondello del caricatore M |
| 33 | Caricatore L 9mm x 19 | 42 | Fondello del caricatore L |
| 33 | Caricatore L .40 S&W | 43 | Molla caricatore 9mm x 19 |
| 34 | Componenti di guida | 43 | Molla caricatore .40 S&W per fondello del caricatore S e M |
| 36 | Ritegno del caricatore | 43 | Molla caricatore .40 S&W per fondello del caricatore L |
| 36.1 | Calotta | 44 | Dust Cover |
| 39 | Alimentatore 9mm x 19 | | |
| 39 | Alimentatore .40 S&W | | |

Nota:

Pezzi identici per 9mm x 19 e 9mm x 21, salvo indicazione diversa.

I componenti funzionali (34) e il fusto (29.3) non sono disponibili singolarmente. Possono essere ordinati esclusivamente come Fusto completo, ET (29).

ANALTHE



KULLANIM KILAVUZU

TABANCA PPS M2

EN

DE

FR

ES

IT

TU



BU ATEŐLİ SİLAHI KULLANMADAN ÖNCE, BU KILAVUZDA YER ALAN TALİMAT VE UYARILARI DİKKATLE OKUYUNUZ.



Bilgi:

Bu kullanım kılavuzu, tabancanın sivil kullanıcılar için kullanımını anlatmaktadır. Tabancanın resmi görevlilerce kullanımına ait şartlar, bu kullanım kılavuzunda belirtilen bilgilerden farklılık gösterebilir.

Bu kullanım kılavuzunda tabancanın normal atışa hazır vaziyette, yani namlunun yatay, kabzanın aşağıya bakan ve namlu ağzının öne doğru bakan bir konumda olduğu öngörülmüştür. “Yukarı”, “aşağı”, “sağ”, “sol” ile “ön” ve “arka” gibi ifadelerde, tabancayı atışa hazır vaziyette elinde tutan bir atıcının bakış açısı temel alınmıştır.

Açıklamalar sağ elini kullananlar tarafından kullanıma ilişkindir. Solakların ise kendileri için uygun şekilde hareket etmeleri rica olunur.

Lütfen dikkate alınız: Bu kullanım kılavuzunda yer alan şekiller açıklama amaçlı olup gerçek silahlardan farklı olabilir.

İÇİNDEKİLER

| | |
|--|-----------|
| 1. Güvenlik bilgileri | 4 |
| 2. Ürün tanımı | 5 |
| 2.1. İşlev sırası | 5 |
| 2.2. Mühimmat | 6 |
| 2.3. Kumanda ve fonksiyon birimleri | 7 |
| 3. Kullanım | 10 |
| 3.1. Tabancanın kontrol edilmesi | 10 |
| 3.2. Doldurma | 11 |
| 3.3. Atış | 12 |
| 3.4. Şarjör değiştirme | 12 |
| 3.5. Boşaltma | 13 |
| 3.6. Tutukluk | 14 |
| 4. Sökme, temizlik, yağlama ve bakım | 14 |
| 4.1. Ana gruplar | 14 |
| 4.2. Şarjör | 16 |
| 4.3. Temizleme | 18 |
| 4.4. Yağlama | 19 |
| 4.5. Depolamaya hazırlık | 19 |
| 5. Tabancanın kullanıcıya uyumlu hale getirilmesi | 20 |
| 5.1. Nişangâh | 20 |
| 5.2. Kabza | 21 |
| 6. Teknik özellikler | 22 |
| 7. Parça şeması | 23 |
| 8. Parça listesi | 24 |

EN

DE

FR

ES

IT

TU

TABANCA PPS M2

GÜVENLİK BİLGİLERİ

1. GÜVENLİK BİLGİLERİ

- Tabancanın kullanımından önce bu kullanım kılavuzunu dikkatlice okuyunuz. Tabancayı ancak kılavuzu iyice anladıktan sonra kullanınız. Tabanca parçalarıyla ilgili her anlatım ve her işlem genel olarak bu kullanım kılavuzunda sadece bir defa verilmiştir. Bu yüzden kapsamına bağlı olarak, varsa başka bölümlerde mevcut açıklamalara atf yapılır.
- Emniyet kontrolü için ve kullanımdan önce, arızalarda ve temizlemeden önce tabancanın boş olduğundan (şarjörün tabanca dışında ve mermi yatağının boş olduğundan), namluda yabancı cisimlerin bulunmadığından ve şarjörün boş olduğundan emin olunmalıdır.
- Tabancayı ve mühimmatını birbirinden ayrı olarak muhafaza ediniz. Yetkisiz kişilerin (özellikle çocukların) bunlara erişebilmesini önleyiniz.
- Tabanca boş bile olsa sanki doluymuş gibi davranınız. Tabancayı kendinizi ve başkalarını tehdit etmeyecek şekilde tutunuz. Tabancayı daima emniyetli bir yöne doğru tutunuz. Tabanca boş olsun veya dolu olsun asla şahıslara veya atış yapmak istemediğiniz hedeflere doğrultmayınız. En güvenli tabancanın bile, hatalı veya uygun olmayan şekilde kullanılması halinde kendiniz ve diğer insanlar için tehlikeli olacağını varsayınız.
- Dikkat! Atış yapmak istemediğiniz müddetçe parmağınız tetikte olmamalıdır.
- Tetik parmağınız genel olarak tetik muhafazasının dışında olmalıdır. Tetik sadece tabanca hedefe doğrultulmuş ise çekilmelidir.
- Kullanım, kontrol, sökme, temizleme ve birleştirme esnasında asla zor kullanmayınız. Hatalı kullanım, tabancanın işlevselliğini ve güvenilirliğini tehlikeye atar. Tabancayı sadece bu kılavuzda anlatılan kapsam ve sınırlar dâhilinde sökünüz.
- Tabancanın güvenliği ve işlevselliği ancak tabanca ve mühimmatının teknik açıdan kusursuz durumda olduğu sürece sağlanmıştır.
- Tabanca, dış etkilere (örn. paslanma, yere düşme vs.) maruz kaldıktan sonra kalifiye bir silah ustası tarafından kontrol edilmelidir.
- Atış yaparken daima koruyucu kulaklık ve gözlük kullanınız. Yakınızdaki bulunan kişileri de koruyucu kulaklık ve gözlük kullanmaları konusunda uyarınız.
- Silahınız belirli bir kalibrenin mühimmatına uygun olarak tasarlanmıştır. Tabancanıza uygun mühimmat tanımı, silahın üzerinde belirtilmiştir. Sadece C.I.P. (Commission Internationale Permanente pour l'Épreuve des Armes à Feu Portatives) veya S.A.A.M.I. (Sporting Arms and Ammunition Manufacturers' Institute) adlı kuruluşların standartlarına ve silahın kalibresine uygun mühimmat kullanınız. Özellikle tekrar doldurulmuş mühimmat kullanımında normların izin verdiği gaz basıncı değerlerinin aşılmamasına özen gösteriniz. Aşırı basınç bir silaha zarar verebilir, hatta silahı parçalayabilir. Silah için öngörülen değerlerden daha yüksek bir mermi hızına ve gaz basıncına sahip mühimmat, silaha ek yük bindirir, aşırı aşınmaya neden olur ve silahın ciddi hasar görmesine sebebiyet verebilir.
- Silahı doldurmadan önce daima fazla olan gresi ve yağı temizleyiniz ve namlunun temiz, ya bancı cisimlerden arınmış olduğundan emin olunuz.

ÜRÜN TANIMI

- Bu kılavuzda anlatılanlar dışında tabancanızda parça değiştirmeyiniz, üzerinde herhangi bir işlem ya da değişiklik yapmayınız veya ayarıyla oynamayınız. Onarım ve bakım işlemleri WALTHER veya kalifiye bir servis tarafından gerçekleştirilmelidir.
- Bilinçsiz veya hatalı olarak yapılan değişiklikler tabancanın güvenlik ve güvenilirliğini tehdit edebilir, hatta yaralanmalara ya da ölümlere sebep olabilir.

YASAL SORUMLULUK UYARISI

Silahların kullanımı daima özel bir dikkat gerektirir. Her zaman, istemeden de olsa, insan hayatına ya da mala zarar verme riski vardır. WALTHER, tabancanın hatalı veya yürürlükteki mevzuata aykırı kullanımından kaynaklanan hasarlar için herhangi bir sorumluluk kabul etmez. Aynı husus, bu kullanım kılavuzuna uyulmaması, yetkisiz parça değişimi veya bu kullanım kılavuzunda açıkça öngörülmediği halde tabancaya yapılan diğer müdahaleler nedeniyle ortaya çıkabilecek hasarlar için de geçerlidir.

2. ÜRÜN TANIMI

2.1. İşlev sırası

PPS'in kilit mekanizması, kilitli sürgülü otomatik doldurma prensibine göre çalışır. Tetiğin çekilmesi esnasında ateşleme iğnesi kilidi kurulur ve tetiklenir. Ateşleme iğnesi merminin kapsülüne vurur ve sevk barutunu ateşler. Mermi oluşan gaz basıncı vasıtasıyla namludan dışarı itilir. Aynı anda namlu ile aynı hizada kilitli vaziyetteki mekanizmaya bir basınç etkisi oluşur. Namlunun ve mekanizmanın kısa bir birlikte geri hareketten sonra namlu aşağıya yönlendirilir ve mekanizma açılır. Mekanizma kilit yayının kuvvetine karşı sonuna kadar geriye kayarken ve kovani sağdan dışarı fırlatırken namlu hareketsiz kalır. Yayın itmesiyle kapak tekrar öne doğru hareket ederken en üstteki mermiyi şarjörden mermi yatağına sürer. Kilit mekanizmasının öne doğru hareketi tamamlanmasına kısa süre kala namlu üst ön tarafa doğru itilir ve mekanizma kovani fırlatma penceresinde kilitlenir. Atıcı parmağını tetikten çeker ve tabanca bir sonraki atışa hazırdır.

EN

DE

FR

ES

IT

TU

TABANCA PPS M2

ÜRÜN TANIMI

2.2. Mühimmat



UYARI Sadece tabancanıza uygun mühimmat kullanınız. Yanlış mühimmat işlev arızalarına, ateşleme hatalarına veya yüksek gaz basıncından dolayı tabancanın arızalanmasına veya kullanılamaz hale gelmesine sebep olabilir.

Namlunun sağ tarafında sizin PPS'inize uygun olan mühimmat belirtilmiştir (bkz. 2.3. Şekil 1). Sadece bu mühimmat tanımına uygun ve gaz basıncı C.I.P veya SAAMI'nın verilerine uygun ya da "Düşük oranda zararlı madde içeren 9 mm x 19 mermiler için Teknik Yönerge"ye göre polis silahlarında kullanımı için onaylanmış olan mermiler kullanınız. Kullanımdan önce mühimmatı kontrol ediniz. Sadece kusursuz mühimmat kullanınız. Tabanca ve mühimmat birlikte bir sistemi oluşturduğu için birbirlerine uygun olmalıdırlar. Güvenilirlikleri karşılıklı olarak birbirlerine bağlıdır. Silah ağırlığı, mermi ağırlığı ve mermi hızının farklı kombinasyonları, atıcı tarafından hissedilen geri tepmeyi etkiler. Tabancanın çok fazla geri tepmesi, bazı atıcıları rahatsız edebilir.



2.2 Şekil 1

Örnekler:

- **Silah ağırlığı:** Silah daha hafifse geri tepme daha "şiddetli" hissedilir.
- **Mermi ağırlığı:** Mermi ne kadar ağırsa geri tepme o kadar şiddetlidir.
- **Mermi hızı:** Daha yüksek mermi hızı geri tepmeyi artırır.

Daha şiddetli bir geri tepmeye alışmak için şu şekilde hareket edebilirsiniz:

- Atış yaparken tabancayı iki elinizle tutunuz.
- Tabancanıza uygun mühimmatla, düşük mermi ağırlığı ve düşük mermi hızı ile başlayınız.
- Tabancanıza uygun daha hafif mühimmat, daha düşük mermi hızı ve daha düşük mermi ağırlığı bilgileri için yetkili bayinize danışınız.
- Tabancanızın kabza boyunu ihtiyaçlarınıza göre seçiniz.

ÜRÜN TANIMI

2.3. Kumanda ve fonksiyon birimleri



- | | |
|------------------------|-------------------|
| 1 Kilit mekanizması | 8 Şarjör |
| 2 Arpacık | 9 Kabza |
| 3 Namlu tutucu askısı | 10 Şarjör tutucu |
| 4 Sürgü tutucu tırnağı | 11 Tetik |
| 5 Kurma yivleri | 12 Tetik koruması |
| 6 Sürgü tutucu | 13 Kabza kapağı |
| 7 Nişangâhı | |

- | |
|----------------------|
| 1 Kilit yayı çubuğu |
| 2 Namlu ağız |
| 3 Model adı |
| 4 Kilit kapağı |
| 5 Fişek tırnağı |
| 6 Fırlatma penceresi |
| 7 Namlu |
| 8 Seri numarası |



TABANCA PPS M2

ÜRÜN TANIM

2.4.1 Dolu göstergesi

PPS tabancalarının yukarıda, fırlatma penceresinin arka ucunda bir oyuk şeklinde bir doluluk göstergesi vardır. (2.4.1 Şekil 1). Mermi yatağında bir mermi bulunup bulunmadığını görmek için oyuğun içine bakınız. Bir mermi sürülmüşse normalde pirinç veya gümüş renginde olan kovan sırtı görülebilir.



2.4.1 Şekil 1

⚠ DİKKAT

Bir silaha daima, doluymuş ve tetiğe basıldığında atış gerçekleşmiş gibi davranınız. Emniyet kontrolünü yaparken sadece doluluk göstergesine güvenmeyiniz. Kontrol için en güvenli yöntem mermi yatağına bakmaktır. Bunun için şarjörü tabancadan çıkarınız, kapağı sonuna kadar geriye çekiniz, sürgü tutucuyu sabitleyiniz ve mermi yatağının içine bakınız.

⚠ DİKKAT

Bir doluluk göstergesi gerçi mermi yatağında bir mermi bulunup bulunmadığı hakkında bilgi verse de ışık şartları, tabancanın kirliliği, mühimmatın renk değiştirmiş olması ve başka faktörler mermi yatağında mermi bulunup bulunmadığının kesin tespitini zorlaştırabilir. Şarjörü tabancadan çıkarınız, kilit mekanizmasını dayanak noktasına kadar geriye çekiniz ve sürgü tutucuyu sabitleyiniz. Mermi yatağının içine bakınız. Mermi yatağı boş olmalıdır.

2.4.2 Şarjör tutucu

Şarjör tutucu kabzanın yan tarafındadır.

Kullanım:

Parmaklar tetik korumasının dışındadır ve tetiğe dokunmaz. Şarjör tutucuya basınız ve şarjörü çıkarınız (2.4.2 Şekil 1).



2.4.1 Şekil 2

ÜRÜN TANIMI

2.4.3 Sürgü tutucu

Kilit mekanizmasının açık konumda sabitlemesi:

Parmaklar tetik korumasının dışındadır ve tetiğe dokunmaz. Şarjörü çıkarınız, kilit mekanizmasını arkadan kurma yivleriyle tutunuz ve kuvvetli bir şekilde dayanak noktasına kadar geri çekiniz. Mermi yatağının içinde bir mermi varsa, bu sırada mermi yatağının içinden dışarı çekilir ve atılır.

Siz kilit mekanizmasını en arka pozisyonda tutarken sürgü kolunu yukarı itersiniz ve kilit mekanizmasını, sürgü tutucu tarafından sabit tutulmaya başlanıncaya kadar yavaşça öne doğru bırakınız (2.4.3 Şekil 1).



2.4.3 Şekil 1

Sürgü tutucunun indirilmesi:

Sürgü tutucuyu, kilit mekanizması öne fırlayınca kadar atış yaptığınız elinizin baş parmağıyla aşağı bastırınız. Sürgü tutucuyu baş parmağıyla daha kolay idare edebilmek için, baş parmak ile kilit mekanizması geriye çekilirken aynı zamanda yukarıda anlatıldığı gibi sürgü tutucu bastırılabilir.

2.4.4 Şarjör

Üç farklı boyda şarjör vardır. Şarjör seçimiyle tabanca kabzasının boyu da atıcının ihtiyacına uygun hale getirilebilir. Düz kapaklı, orta boy uzatmalı ve büyük uzatmalı şarjör arasından seçim yapılabilir:

| Kalibre | 9 mm x 19 9 mm x 21 | .40 S&W |
|---------------------------------|------------------------|---------|
| Düz şarjör kapağı (Small) | 6 | 5 |
| Orta boy şarjör kapağı (Medium) | 7 | 6 |
| Büyük şarjör kapağı (Large) | 8 | 7 |

Şarjör kapasitesi şarjör kapağının boyuna bağlıdır.

Şarjör gövdesi ve doluluk seviyesini görmeye yarayan delikler tüm şarjörlerde aynıdır. Şarjör gövdesindeki delikler yardımıyla şarjörün ne kadar dolu olduğu görülebilir (2.4.4 Şekil 1).



2.4.4 Şekil 1

TABANCA PPS M2

KULLANIM

3 KULLANIM

3.1 Tabancanın kontrol edilmesi

- PPS tabancanızı kontrol etmeden önce, tabancanın boş olduğundan emin olunuz. Tabancanın namlu ağzını emniyetli bir yöne çeviriniz. Parmaklarınızı tetik korumasının dışında tutunuz ve tetiğe dokundurmayınız. Şarjör tutucuya basınız ve şarjörü çıkarınız (3.1 Şekil 1).
- Kilit mekanizmasını arkadan ve tutma yivlerinden kavrayınız (3.1 Şekil 2) ve kuvvetle dayanak noktasına kadar geriye çekiniz. Mermi yatağında mermi varsa, bu sırada mermi yatağından çıkarılır ve dışarı fırlatılır. Mermi fırlatma penceresinin önünü kapatmayınız, aksi halde mermi düzgün bir şekilde dışarı fırlatılamaz.
- Kilit mekanizmasını açık halde sabitleyiniz. Kilit mekanizmasını en arka pozisyonda tutarken sürgü tutucuyu yukarıya itiniz ve kilit mekanizmasını yavaşça, tutucu tarafından yerinde tutulmaya başlayınca kadar öne bırakınız (3.1 Şekil 3).
- Mermi yatağı (3.1 Şekil 4) ve namlunun açık, kuru ve temiz olduğundan emin olunuz. PPS tabancanızı elinizden bırakmadan, temizlemeden, başka bir kişiye vermeden, taşımadan ve depolamadan önce daima bu kontrolü yapınız.



3.1 Şekil 1



3.1 Şekil 2



3.1 Şekil 3



3.1 Şekil 4

⚠ DİKKAT

Sadece teknolojiye güvenmeyiniz. Silahlar konusunda dikkatli davranarak kendi güvenliğinize katkıda bulununuz. Silahlar konusunda güvenli ve bilinçli hareket etme sorumluluğu size aittir.

KULLANIM

3.2 Doldurma

3.2.1 Şarjörün doldurulması

Şarjör gövdesindeki delikler yardımıyla şarjörün doluluk seviyesi görülebilir.



3.2.1 Şekil 1



Uyarı:

Sadece tabancanızla kullanımı öngörülen şarjörleri kullanınız. Diğer şarjörler fonksiyon hatalarına veya tabanca ve şarjörün hasar görmesine neden olabilir.

⚠ DİKKAT

Şarjör için öngörülen sayıdan daha fazla mermi doldurmaya çalışmayınız. Aksi halde namluya mermi sürülürken aksaklıklar meydana gelebilir. Şarjörün hasar görmesine neden olabileceğinden zor kullanmayınız. Hasarlı ve deforme olmuş şarjörler ve şarjör dudakları işlev arızalarına ve dolayısıyla tabancanızın çalışmaz hale gelmesine neden olabilir.

Şarjörü, izleyici pininin ön kısmını mermi tabanıyla aşağı bastırarak ve mermiyi, mermi tabanı şarjörün arka duvarına değinceye kadar şarjör dudaklarının altına iterek doldurunuz. Bu işlemi, her defasında bir sonraki merminin altı ve diğer elinizin baş parmağıyla şarjördeki en üst mermiyi aşağı bastırıp sonra şarjör dudaklarının altına iterek tekrarlayınız (3.2.1 Şekil 2).



3.2.1 Şekil 2

3.2.2 Tabancanın doldurulması

- Tabancayı bölüm 3.1'de anlatıldığı gibi kontrol ediniz.
- Tabancanın namlu ağzını emniyetli bir yöne doğru tutunuz. Bu sırada parmağınızı tetik korumasının dışında tutunuz ve özellikle de tetiğe dokunmayınız. Şarjörü, bir tık sesiyle yerine oturuncaya kadar şarjör yuvasının içine itiniz. Şarjörü şarjör kapağından aşağıya çekerek yerine oturduğundan emin olunuz. Şarjör yerinden çıkmıyorsa yerine doğru oturmuştur.
- Kilit mekanizmasını geriye çekiniz ve öne fırlamasına izin veriniz.

TABANCA PPS M2

KULLANIM

⚠ DİKKAT

Mermileri sadece şarjör yoluyla mermi yatağına yerleştiriniz. Mermileri tek tek fırlatma penceresinden mermi yatağının içine doğru itmeye çalışmayınız. Böyle bir durumda siz ve başkaları için ciddi yaralanma ve hatta ölüm tehlikesi vardır.

⚠ UYARI

Tabanca artık atışa hazırdır. Tabancanız ve şarjör doludur ve tetiğe basıldığında bir atış gerçekleşecektir. Namlu ağzını mutlaka emniyetli bir yöne çevrili tutunuz ve tetik parmağınızı ve başka nesnelere tetikten uzak ve tetik korumasının dışında tutunuz. Dolu bir silahı elinizden bırakmayınız.

3.3 Atış

- Atış yapmak istediğiniz ana kadar tabancanın namlu ağzını emniyetli bir yöne çevrili tutunuz ve tetik parmağınızı tetikten uzak ve tetik korumasının dışında tutunuz.
- Mümkün olduğu kadar yüksek kavrayarak PPS tabancanızın avantajlı biçiminden yararlanınız. Böylece atış sırasında tabancayı daha iyi kontrol edebilirsiniz.
- Tabancanın kabzasını kuvvetle tutarken parmağınızı önden tetiğin üstüne getiriniz ve atış gerçekleşinceye kadar tetiği çeken kuvveti artırınız. Atış sırasında kilit mekanizması arkaya doğru fırlar ve kovani dışarı fırlatır. Sonra kilit mekanizması tekrar öne gider ve şarjörün içinden bir sonraki mermiyi alıp mermi yatağına sürer.
- Atıştan sonra parmağınızı tetikten çekersiniz ve bir sonraki atışa hazır oluncaya kadar parmağınızı tetik korumasının dışında tutarsınız. Bu sırayı son atışa kadar tekrarlayabilirsiniz.

Son atıştan sonra şarjörün izleyici pini sürgü tutucuyu harekete geçirir ve kilit mekanizması açık pozisyonda sabitlenir.

⚠ DİKKAT

Atış yaparken koruyucu kulaklık ve gözlük kullanınız. Atış sırasında ve kilit mekanizması tutucu çalıştığında kilit mekanizması boyuna doğrultuda muazzam bir kuvvet ve hızla hareket eder. Bu nedenle tabancayı, vücudunuzun hiçbir kısmı kilit mekanizmasının hareket hattı içerisinde kalmayacak şekilde tutunuz.

3.4. Şarjör değiştirme

Son atıştan sonra şarjörün izleyici pini sürgü tutucuyu harekete geçirir ve kilit mekanizması açık pozisyonda sabitlenir.

- Şarjör çıkartma mandalını aşağı itiniz ve şarjörü çıkarınız.
- Yeni bir şarjör takınız.
- Kilit mekanizmasını geriye çekiniz ve tekrar öne fırlamasına izin veriniz.

⚠ DİKKAT Tabanca tekrar atışa hazırdır. Tabancanın namlusunu emniyetli bir yöne tutunuz, siz bir sonraki atışı yapmaya hazır oluncaya kadar tetik parmağınızı tetikten uzak ve tetik korumasının dışında tutunuz.

3.5 Boşaltma

- Namluyu emniyetli bir yöne doğru tutunuz. Parmaklarınız tetik korumasının dışındadır ve tetiğe dokunmazlar. Şarjör tutucuya basınız ve şarjörü çıkarınız (3.5 Şekil 1).
- Kilit mekanizmasını arkadan, kurma yivlerinden tutunuz (3.5 Şekil 2) ve kuvvetle dayanak noktasına kadar geriye çekiniz. Mermi yatağında bir mermi varsa, bu mermi yatağından çıkarılacak ve dışarı fırlatılacaktır. Mermi fırlatma penceresinin önünü kapatmayın, aksi halde mermi düzgün bir şekilde dışarı fırlatılamaz.
- Kilit mekanizmasını açık halde sabitleyiniz. Kilit mekanizmasını en arka pozisyonda tutarken sürgü tutucuyu yukarı itiniz ve kilit mekanizmasını yavaşça, tutucu tarafından yerinde tutulmaya başlayıncaya kadar öne bırakınız (3.5 Şekil 3)
- Mermi yatağını kontrol ediniz. Mermi yatağı boş olmalıdır. Şarjör yuvasını kontrol ediniz. Şarjör yuvası boş olmalıdır.
- Şarjörü boşaltmak için şarjörü, mermiler sizden uzağa dönük olacak şekilde tutunuz. Her defasında en üstteki mermiyi önden şarjörden dışarıya itiniz



3.5 Şekil 1



3.5 Şekil 2



3.5 Şekil 3

⚠ UYARI Tabancada dolu bir şarjör varken kilit mekanizmasını her kapattığınızda mermi yatağına bir mermi sürülür ve tabanca tekrar atışa hazır hale gelir.

TABANCA PPS M2

SÖKME, TEMİZLİK, YAĞLAMA VE BAKIM

3.6 Tutukluk

- Silah tutukluk yaptığında 10 saniye bekleyiniz ve tabancanın namlusunu emniyetli bir yöne tutunuz.
- Tabancayı "3.5 Boşaltma" bölümünde anlatılan şekilde boşaltınız.
- Sonra mermi yatağını ve namluyu gözle kontrol edebilirsiniz. Mermi yatağı ve namlu boş olmalıdır.

4. SÖKME, TEMİZLİK, YAĞLAMA VE BAKIM

⚠ DİKKAT

Bu işlere başlamadan önce tabancanın ve şarjörün boşaltılmış olduğundan emin olunuz.

4.1 Ana gruplar

⚠ UYARI

Tabancayı sökebilmek için tetiği çekmeniz gerekecektir. Tabancı doğru boşaltılmadıysa ve mermi yatağında bir mermi bulunuyorsa, tetik çekildiğinde tabanca ateş alacak ve kullanıcı veya ortamda bulunan kişiler için yaralanma ve ölüm tehlikesi veya maddi hasar tehlikesi yaratacaktır. Bu nedenle tetiği çekmeden önce mermi yatağını ve şarjör yuvasını kontrol etmek zorundasınız. Mermi yatağı ve şarjör yuvası boş olmak zorundadır.

4.1.1 Sökme

- Tabancayı boşaltınız: Şarjörü çıkarınız ve kilit mekanizmasını açık pozisyonda sabitleyiniz. Mermi yatağı ve şarjör yuvası boş olmalıdır.
- Kilit mekanizmasını kapatınız:
- Kilidi geriye çekiniz ve tekrar öne götürünüz.
- Namluyu emniyetli bir yöne çevirin ve tetiği çekerek iğne mekanizmasını boşa alınız.
- Namlu tutucu askısını yukarıdan her iki tarafından tutunuz ve aşağı itiniz (4.1.1 Şekil 1).
- Kilit mekanizmasını tekrar kabzadan ileriye doğru itiniz.
- Kilit yayı ünitesini yayın kuvvetine karşı iterek çıkarınız (4.1.1 Şekil 2).



4.1.1 Şekil 1



4.1.1 Şekil 2

SÖKME, TEMİZLİK, YAĞLAMA VE BAKIM

- Namluyu kilit mekanizmasının içinden çıkarınız.
- 4.1.1 Şekil 3 ana gruplarına ayrılmış tabancayı göstermektedir.



4.1.1 Şekil 3

4.1.2 Montaj

- Kilit mekanizmasını alt tarafı üste gelecek şekilde tutunuz. Namluyu yerine oturtunuz, ayrıca bkz. Şekil 1.
- Kilit yayı ünitesini yerleştiriniz: Kilit yayı ünitesini yay kılavuz çubuğunun siyah küçük ucu namluya dönük olarak mekanizmanın yay yuvasına oturtunuz ve sonra kilit yayının kuvvetine karşı iterek arka ucunu namludaki girintiye oturtunuz (4.1.2 Şekil 1 ve 2).



4.1.2 Şekil 1



4.1.2 Şekil 2



Bilgi:

Eine leichte Krümmung der Schließfedereinheit in teilmontiertem Zustand ist normal.

- Monte edilmiş kilit mekanizmasını önden kabzanın raylarına sürünüz (4.1.2 Şekil 3). Kilit mekanizmasını dayanak noktasına kadar geriye çekiniz ve sonra kilitleneceği pozisyona kadar öne doğru kaydırınız.



4.1.2 Şekil 3

TABANCA PPS M2

SÖKME, TEMİZLİK, YAĞLAMA VE BAKIM

4.2 Şarjör

4.2.1 Şarjörün sökülmesi

Şarjör yayı gergin durmaktadır. Şarjörü sökerken bazı parçalar dışarı fırlayabilir. Şarjörü sökerken dikkatli olunuz. Şarjör tabanını çıkarırken taban tutucuyu tutunuz ve taban tutucuyu şarjör yayıyla birlikte dikkatle şarjör gövdesinin içinden alıp çıkarınız.

1. Şarjör tabanında parmak yeri olan şarjörlerde: Toz kapağını, örn. küçük bir tornavidayla önce sol ön tarafta, sonra da sağ tarafta, sonra da arka tarafta dikkatli bir şekilde şarjör tabanından biraz ayırınız (4.2.1. Şekil 1 ve 2). Sonra toz kapağını şarjör tabanından yukarıya doğru kaldırarak çıkarınız (4.2.1. Şekil 3).
2. Taban tutucuyu bir 4 mm pim zımbası kullanarak şarjör tabanındaki deliğin içinden şarjör gövdesinin içine doğru bastırınız. Şarjör tabanında parmak yeri olan şarjörlerde: Bu adımda taban tutucunun yandaki uzatmalarını şarjör gövdesinin arka duvarına paralel olarak hizalayınız (4.2.1 Şekil 4).
3. Taban tutucuyu şarjör yayının kuvvetine karşı tutarken tabanı öne itiniz ve şarjör gövdesinin içinden alıp çıkarınız.
4. Taban tutucuyu ve şarjör yayını çıkarınız.
5. İzleyici pinini sallayarak şarjör gövdesinden çıkarınız.



4.2.1 Şekil 1



4.2.1 Şekil 2



4.2.1 Şekil 3



4.2.1 Şekil 4



4.2.1 Şekil 5

4.2.2 Tekrar birleştirme

- Önce izleme pinini ve sonra şarjör yayını taban tutucuyla birlikte şarjör gövdesinin içine geçiriniz. Parçaların doğru hizalanmış olmasına dikkat ediniz. Parçalar zor kullanmayı gerektirmeden yerlerine takılabilir.
- Taban tutucuyu şarjör gövdesinin içine bastırarak tutarken, şarjör tabanını önden, bir tık sesiyle yerine oturana kadar yerine geçiriniz (4.2.2 Şekil 1).
Şarjör tabanında parmak yeri olan şarjörlerde: Bu adımda taban tutucunun yandaki uzatmalarını şarjör gövdesinin arka duvarına paralel olarak hizalayınız (4.2.2 Şekil 2).
- Şarjör tabanında parmak yeri olan şarjörlerde: Toz kapağını dibi aşağı bakacak şekilde tutunuz ve arkadan (4.2.2 Şekil 3, Adım 1) şarjör gövdesinin üzerine geçiriniz. Toz kapağını dikkatli bir şekilde ve düzgün bir hareketle yukarıdan şarjör tabanına bastırınız (4.2.2 Şekil 3, Adım 2).



4.2.2 Şekil 1



4.2.2 Şekil 2



4.2.2 Şekil 3

EN

DE

FR

ES

IT

TU

TABANCA PPS M2

SÖKME, TEMİZLİK, YAĞLAMA VE BAKIM

4.3 Temizleme

⚠ DİKKAT

Temizlemeden önce tabancanın ve şarjörün boşaltılmış olduğundan emin olunuz.

Hiç kullanılmamış- yeni tabancanızı ilk defa ateş etmeden önce temizleyiniz. Tabancaya fabrikadan çıkmadan önce korozyona karşı korunması için ya koruyucu maddelerle ya da yağ ile işlem görmüştür. Yeni tabancanın ilk kullanımından önce namlu ve mermi yatağından ve dıştaki yüzeylerden fazlalık yağları temizleyiniz.

Tabancanız hassas bir alettir. Tabancanın güvenilir çalışmasını sağlamak için ona düzenli bakım yapınız.

Tabancanız her kullanıldıktan veya çok sert hava koşullarına maruz kaldıktan sonra temizlenmelidir.

Tabancanızı ana gruplarına ayırınız (bkz. Bölüm 4.1).

Namluyu mermi yatağından başlayarak temizleme fırçası ve namlu temizleyiciyle temizleyiniz. Kurşun ve artıkları bir pirinç fırçayla namludan temizleyiniz. Namlu ve mermi yatağı temiz olmalıdır.

Namlunun dış yüzeylerini bez ve temizleme çubuğuyla temizleyiniz. Küçük bir fırça ve gerekiyorsa silah yağıyla, kabza, namlu, kilit mekanizması, fişek tırnağı, dip tablası ve kirlenmiş başka yerlerdeki artıkları temizleyiniz. Temizlikten sonra dıştaki metal yüzeyleri ince bir şekilde yağlayınız.

Tabanca soğuk bir ortamda kullanılacak veya depolanacaksa, düşük sıcaklıklarda kullanım için tavsiye edilen bir silah yağı kullanınız.

⚠ UYARI

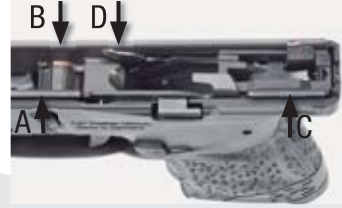
Kullanacağınız temizleme maddelerinin kullanım talimatlarına uyunuz. Bazı temizleme maddeleri tabancanıza zarar verebilir. Bu tür maddelerin uzun süre tabancaya nüfuz etmelerinden, ultrasonik banyoda uzun süreli temizlikten ve 50 °C'nin üzerindeki ısılarda ultrasonik banyodan kaçınınız. Yalnızca silah bakımı için tavsiye edilen reçine ve asit içermeyen temizlik maddeleri ve silah yağları kullanınız. Amonyak içeren ve alkalik çözücüler (solventler) kullanılmamalıdır.

4.4 Yağlama

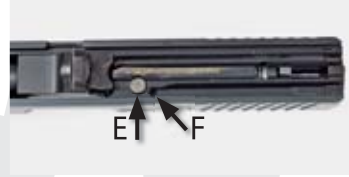
PPS tabanca temizlendikten sonra metal parçaların dıştaki yüzeylerine ve fonksiyonel parçalara ince bir tabaka halinde yağ sürülmelidir. Sadece reçine ve asit içermeyen silah yağı kullanınız.

Aşırı yağlamadan kaçınınız. Yağ damlaları görünüyor veya tabancadan yağ sızdıyorsa aşırı yağlama yapılmış demektir. Fazla yağ tabancada kir ve is birikmesine neden olur. Bu durum tabancanın işlevini olumsuz etkiler. Ateşleme iğnesi deliğini yağlamayınız.

- **Namlu:** Tabancayı temizledikten sonra namlu dış yüzeylerini ve namlu ve kabza arasındaki temas yüzeylerini yağlı bir bezle yağlayınız.
- **Kabza:** Kilit mekanizması yivlerini (A, B ve C) ve tetik çubuğunu (D) birer damla yağla yağlayınız (4.4 Şekil 1).
- **Kilit mekanizması:** Ateşleme iğnesi emniyetini (E) ve durdurucu pini (F) birer damla yağ ile yağlayınız (4.4 Şekil 2).
- **Şarjör:** Şarjör gövdesinin dış yüzeyine ince bir yağ tabakası sürünüz.



4.4 Şekil 1



4.4 Şekil 2

4.5 Depolamaya hazırlık

Lütfen ülkenizin ateşli silahlar ve mühimmat bulundurma ve depolama ile ilgili mevzuatının hükümlerine dikkat ediniz.

Tabancayı nemi çeken veya tutan bir malzeme (örn. deri veya kalın bezler) içerisinde saklamayınız. Tabanca uzun bir zaman boyunca depolanacaksa namlu, mermi yatağı ve içteki parçaları silah yağıyla veya silahlar için kullanımı öngörülen bir koruyucu madde ile koruyunuz. Kilit mekanizması, namlu ve şarjör gibi dıştaki parçalar korozyondan koruyucu maddelerle işlem görmelidir.

PPS tabancanızı bir sonraki kullanımınızdan önce temizleyiniz. Her temizlik sırasında ayrıca tabancada yıpranma izleri görünüp görünmediğine dikkat ediniz. Normal olmayan yıpranma belirtileri görürseniz tabancanızı yetkin bir silah ustasına ya da WALTHER'e kontrol ettiriniz.

TABANCA PPS M2

TABANCANIN KULLANICIYA UYUMLU HALE GETİRİLMESİ

5. TABANCANIN KULLANICIYA UYUMLU HALE GETİRİLMESİ

5.1 Nişangâh

Nişangâh ve arpacık değiştirilebilir. İsbet noktası sağa-sola (yan ayar) ve aşağı-yukarı (yükseklik ayarı) ayarlanabilir.

! DİKKAT

Bu işlere başlamadan önce tabancanın ve şarjörün boşaltılmış olduğundan emin olunuz.

YAN AYARI

İsbet noktasındaki hataları düzeltmek için nişangâhı, isbet noktasını kaydırmak istediğiniz yöne doğru kaydırınız. Örnek: İsbet noktası sağa kaydırılacaksa nişangâhı sağa doğru kaydırınız.



5.1 Şekil 1

! DİKKAT

Orijinal WALTHER çelik nişangâh (5.1 Şekil 1) mekanizma üzerine çok sıkı oturur. Bu nişangâhı ayarlamak için, özel aksesuar olarak temin edilebilen nişangâh sürücüsünün kullanılması tavsiye edilir. Nişangâhın altındaki takım pensini çıkarmayınız.

YÜKSEKLİK AYARI

İsbet noktasını düzeltmek için arpacık değiştirilebilir. Farklı yüksekliklere sahip çelik arpacıklar özel aksesuar olarak temin edilebilir. Silah aşağı gidiyorsa alçak, yukarı gidiyorsa yüksek bir arpacık gereklidir. Arpacıklar numaralandırılmıştır. Numara ne kadar yüksekse arpacık da o kadar yüksektir. 25 metrelik bir atış mesafesinde kademe başına yakl. 5 cm isbet noktası kayması oluşur.



5.1 Şekil 2

Arpacığı değiştirmek için kilit mekanizması kabzadan çıkarılır. Ardından kilit yayı ünitesini ve namıyü mekanizmanın içinden çıkarınız. Bir tornavidayla arpacık vidası sökülür (5.1 Şekil 2) ve ardından arpacık yerinden alınır. Montaj bunun tersi sırayla gerçekleşir. Arpacık vidasını ve arpacıktaki vida dişlerini yağdan temizleyiniz. Arpacık vidasını bir sanayi tutkalıyla örn. Loctite 648) sabitleyiniz. Arpacık vidasını hafifçe sıkınız (1 Nm tork ile).

5.2 Kabza

PPS için üç farklı uzunluktaki versiyonlarda şarjörler mevcuttur (5.2 Şekil 1). Bu şarjörler arasından seçim yapılarak tabanca kabzasının uzunluğu atıcının elinin büyüklüğüne uydurulabilir.



5.2 Şekil 2

EN

DE

FR

ES

IT

TU

TABANCA PPS M2

TEKNİK VERİLER

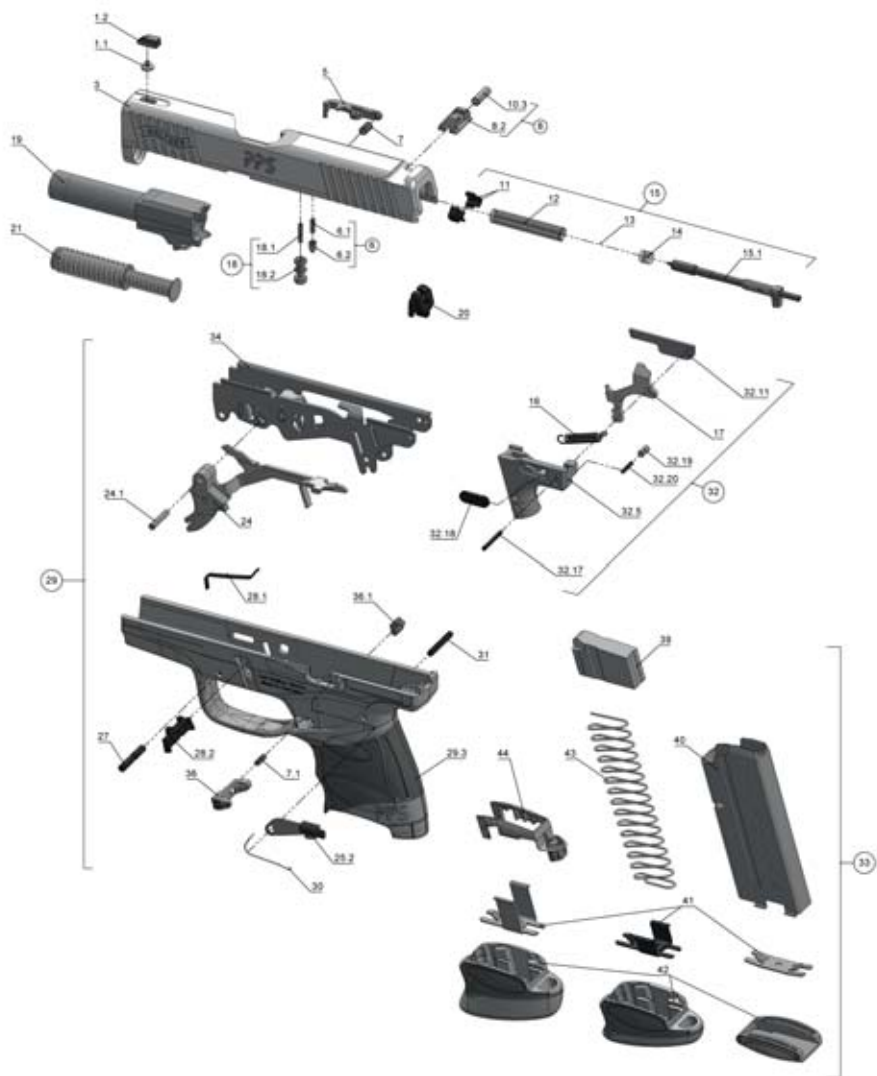
6 TEKNİK VERİLER

| Kaliber | 9 mm x 19 / 9 mm x 21 | .40 S&W |
|---|---|-----------------------|
| Şarjör kapasitesi | 6 (7 / 8) mermi | 5 (6 / 7) mermi |
| Yükseklik [mm] | 110 (127 / 134) | 110 (127 / 134) |
| Uzunluk | 161 mm | 161 mm |
| Genişlik [mm] | 27 (kapak parçası 23) | 27 (kapak parçası 23) |
| Namlu uzunluğu | 81 mm | 81 mm |
| Yiv uzunluğu | 250 mm Sağa kaçma | 406 mm Sağa kaçma |
| Nişangâh hattı uzunluğu | 136 mm | 136 mm |
| Ağırlık, boş şarjör dâhil [g] | 600 (610 / 620) | 590 (600 / 610) |
| Boş şarjör ağırlığı [g] | 55 (65 / 75) | 55 (65 / 75) |
| Mermi enerjisi E ₃ , mermi ağırlığı | 395 J 8 g | 470 J 11,5 g |
| Kilitleme çeşidi | Browning sistemi, ara elemansız | |
| Kilit çeşidi | Ateşleme iğnesi kilidi, kısmi gerilimli | |
| Tetik prensibi | Quick Defense Trigger | |
| Tetik kuvveti /yolu | 27 N / 7 mm (her atışta aynı) | |

*Bilgiler orta değerlerdir. Gerçek değerler farklılık gösterebilir.
Parantez içindeki bilgiler Medium veya Large şarjör için geçerlidir.*

PARÇA ŞEMASI

7. PARÇA ŞEMASI



EN
DE
FR
ES
IT
TU

TABANCA PPS M2

PARÇA LİSTESİ

8. PARÇA LİSTESİ

| Sıra No. | Tanımlama | Sıra No. | Tanımlama |
|----------|---------------------------------------|----------|-----------------------------|
| 1.1 | Arpacık vidası | 18.2 | Ateşleme iğnesi emniyeti |
| 1.2 | Arpacık | 19 | Namlu 9 mm x 19 ET |
| 3 | Kapak parçası 9 mm x 19 ET | 19 | Namlu 9 mm x 21 ET |
| 3 | Kapak parçası .40 S&W ET | 19 | Namlu .40 S&W ET |
| 5 | Tırnak | 20 | Kapak takımı arka kapağı |
| 6 | Tırnak pimi, komple | 21 | Yerine getiren yay birimi |
| 6.1 | Tırnak pimi | 24 | Komple tetik tertibatı |
| 6.2 | Tırnak pimi yayı | 24.1 | Ateşleme ekseni |
| 7 | Şarjör çıkartma mandal yayı 9 mm x 19 | 25.2 | Tespit mandalı |
| 7 | Şarjör çıkartma mandal yayı .40 S&W | 27 | Namlu tutucu pimi |
| 7.1 | Şarjör tutucu yayı | 28.1 | Namlu tutucu yayı |
| 8 | Nişangâh komple | 28.2 | Namlu tutucu |
| 8.2 | Nişangâh | 28.2 | Namlu tutucu |
| 10.3 | Gez | 29 | Kabza komple 9 mm x 19 ET |
| 11 | Yay desteği | 29 | Kabza komple 9 mm x 21 ET |
| 12 | Ateşleme yayı | 29 | Kabza komple .40 S&W ET |
| 13 | Destek kovani | 29.3 | Kabza |
| 14 | Geri götürme yayı | 30 | Tespit mandalı yayı |
| 15 | Ateşleme iğnesi, komple | 31 | Helezon pin 3 x 21 |
| 15.1 | Ateşleme iğnesi | 32 | Tetik muhafazası komple |
| 16 | Tetik yayı | 32.5 | Tetik muhafazası |
| 17 | Tevzi parçası | 32.11 | Karşı mesnet |
| 18 | Ateşleme iğnesi emniyeti komple 2014 | 32.17 | Tetik yayı pimi |
| 18.1 | Ateşleme iğnesi emniyeti yayı | 32.18 | Durdurma plakası |
| | | 32.19 | Tevzi parçası saplaması |
| | | 32.20 | Tevzi parçası yayı 9 mm x19 |
| | | 32.20 | Tevzi parçası yayı .40 S&W |

PARÇA LİSTESİ

| Sıra No. | Tanımlama |
|----------|--------------------|
| 33 | Şarjör S 9 mm x 19 |
| 33 | Şarjör S .40 S&W |
| 33 | Şarjör M 9 mm x 19 |
| 33 | Şarjör M .40 S&W |
| 33 | Şarjör L 9 mm x 19 |
| 33 | Şarjör L .40 S&W |
| 34 | Kılavuz bileşeni |
| 36 | Şarjör mandalı |
| 36.1 | Kapak |
| 39 | İzleyici 9 mm x19 |
| 39 | İzleyici .40 S&W |

| Sıra No. | Tanımlama |
|----------|-----------------------------|
| 40 | Şarjör muhafazası 9 mm x 19 |
| 40 | Şarjör muhafazası .40 S&W |
| 41 | Taban kapağı S |
| 41 | Taban kapağı M |
| 41 | Taban kapağı L |
| 42 | Şarjör tabanı S |
| 42 | Şarjör tabanı M |
| 42 | Şarjör tabanı L |
| 43 | Şarjör yayı 9 mm x 19 |
| 43 | Şarjör tabanı S ve M için |
| 44 | Toz kapağı |

Not: Başka türü belirtilmedikçe 9 mm x 19 ve 9 mm x 21 için parçalar aynıdır. Kılavuz bileşeni (34) ve kabza (29.3) parçaları, ayrı parçalar halinde alınamaz. Bunlar yalnızca komple kabza ET (29) olarak alınabilir.

EN

DE

FR

ES

IT

TU

TABANCA **PPS M2**



EN

DE

FR

ES

IT

TU

A large, light gray, stylized version of the Walther logo is centered on the page. It consists of the word "WALTHER" in a bold, rounded, sans-serif font, enclosed within a thick, wavy banner that curves across the page.



Carl WALTHER GmbH

Sales

P.O.Box 2740
D - 59717 Arnsberg
Donnerfeld 2
D - 59757 Arnsberg
Phone +49 / (0)2932 / 63 81 00
Fax +49 / (0)2932 / 63 81 49

Service

P.O.Box 4325
D - 89033 Ulm
Im Lehr Feld 1
D - 89081 Ulm
Phone +49 / (0)731 / 15 39 0
Fax +49 / (0)731 / 15 39 109



All technical changes and modifications reserved.
Technische Änderungen vorbehalten.
Sous réserve de modifications techniques.
Queda reservado el derecho a realizar cambios.
Con riserva di modifiche tecniche.
Teknik değişiklik yapma hakkımız saklıdır.

Copyright © 2015 · Carl Walther GmbH